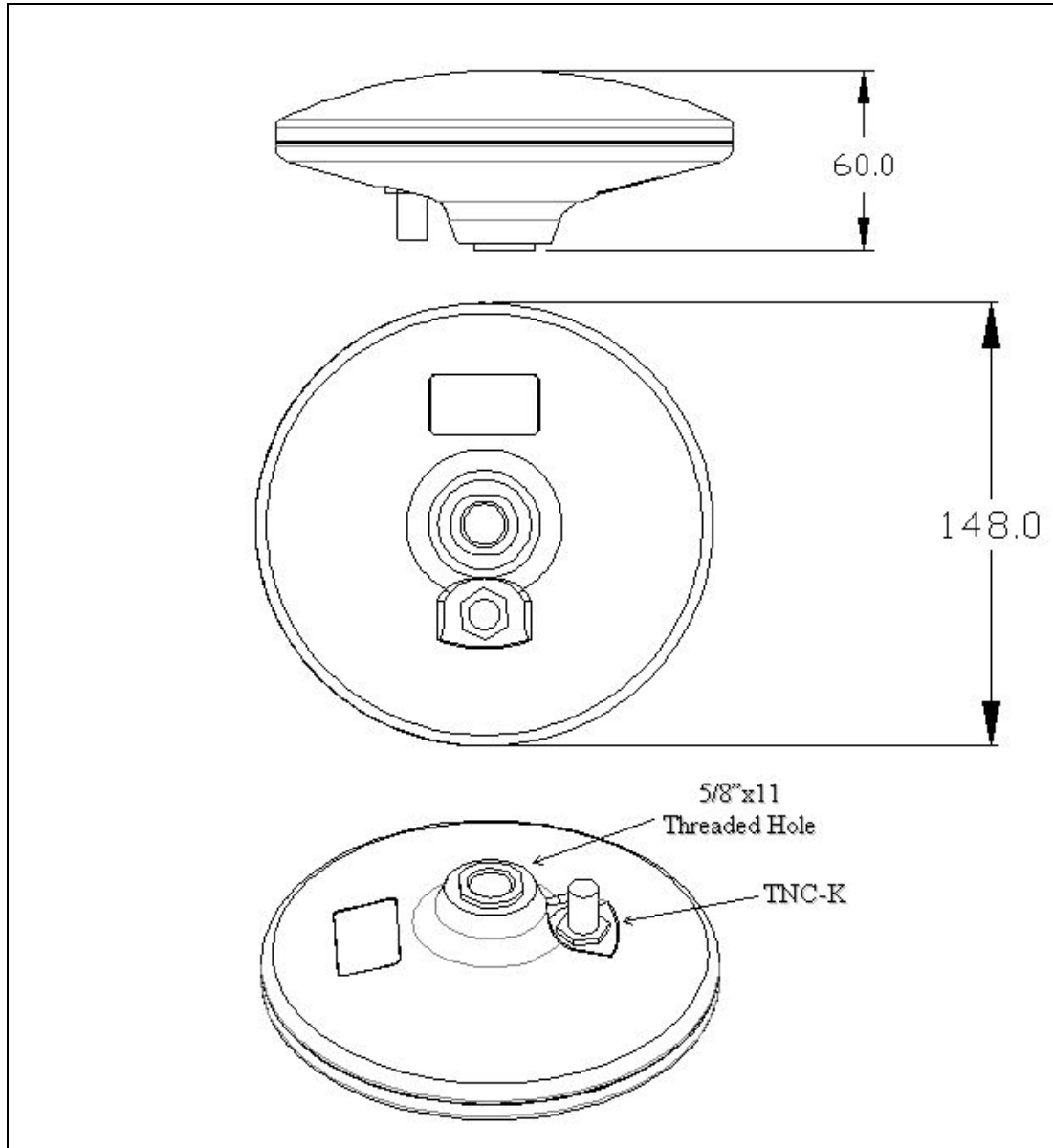


■ SPECIFICATIONS

ANTENNA		
PARAMETER		VALUE
Frequency Ranges	GPS: 1575.42 MHz / 1227.60 MHz / 1176.45 MHz	
	GLONASS: 1598~1605 MHz / 1242~1248 MHz	
	BeiDou: 1575.42 MHz / 1278.75 MHz / 1191.795 MHz	
Output VSWR, max	1.5	
Impedance	50 Ω	
Peak Gain	Zenith	4.5 dBic
	20° Elevation	-4.0 dBic
Phase Center, Maximum	2 mm	
Axial Ratio	Zenith	≤ 2.0
	20° Elevation	≤ 4.0
Front to Rear Ratio	≥ 20 dB	
Polarization	RHCP	
Connector Type	TNC-K	

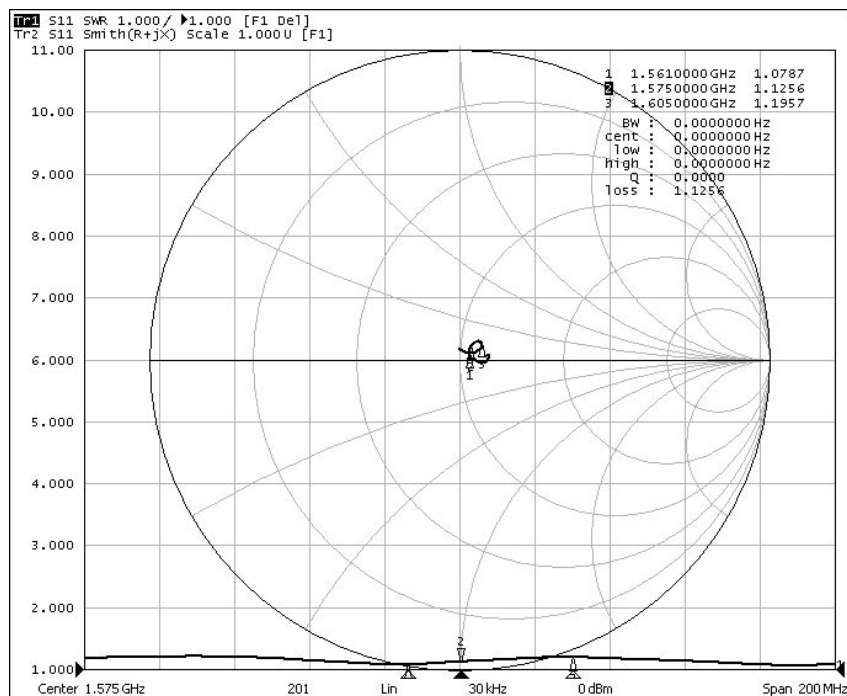
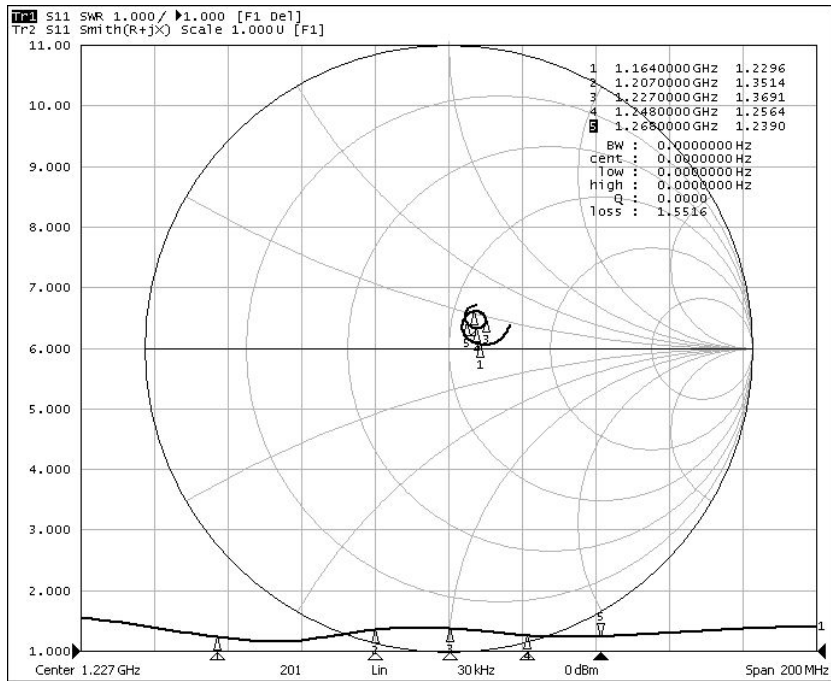
LNA		
PARAMETER		VALUE
Frequency Ranges	GPS: 1575.42 MHz / 1227.60 MHz / 1176.45 MHz	
	GLONASS: 1598~1605 MHz / 1242~1248 MHz	
	BeiDou: 1575.42 MHz / 1278.75 MHz / 1191.795 MHz	
DC Voltage	3.3 to 9.0 V	
DC Current, max	45 mA	
LNA Gain	38 ± 3 dB	
Noise Figure, max	1.5 dB	
Out Band Rejection	F _H + 100 MHz	≥ 35 dB
	F _L - 100 MHz	≥ 35 dB
Output VSWR, max	2.0	

MECHANICAL SPECIFICATIONS

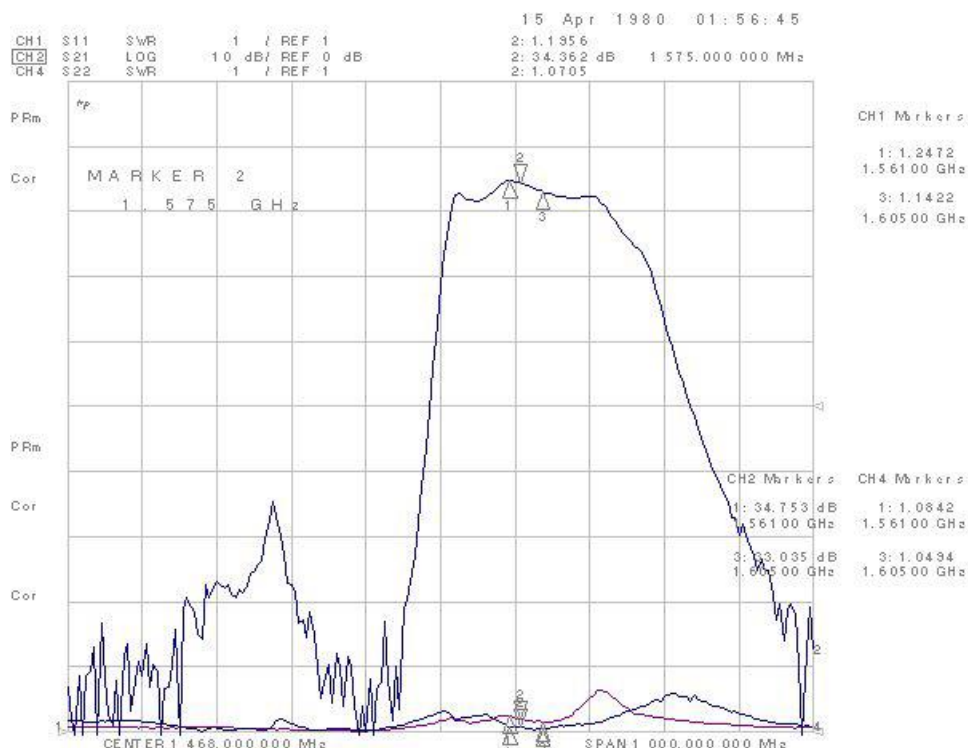
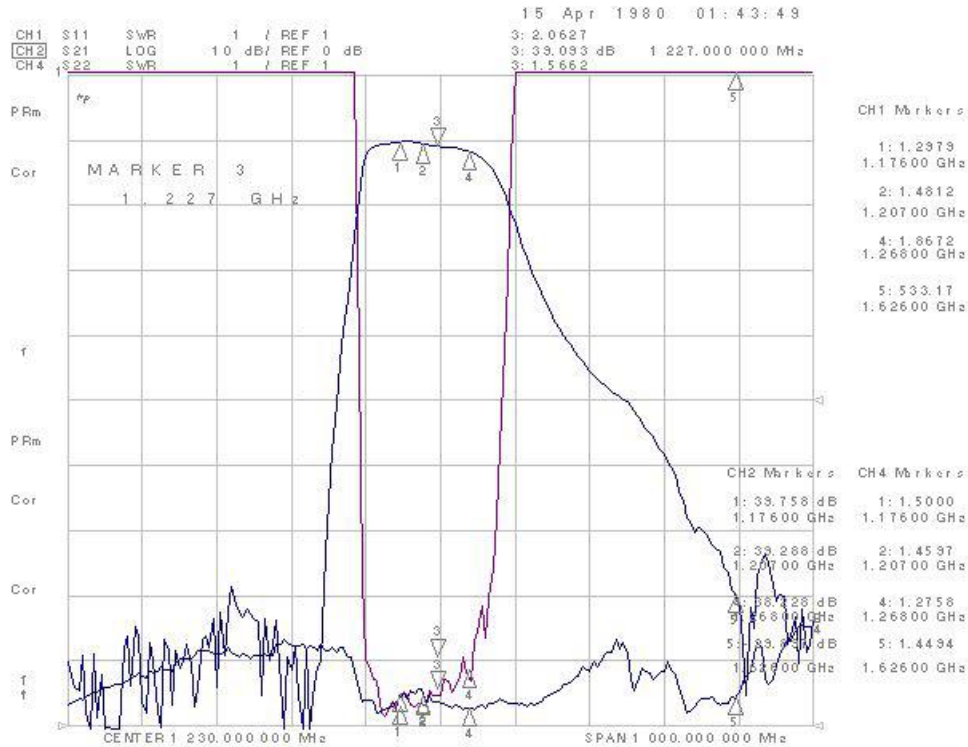


Frequency Characteristics

Patch Test Curve



LNA Test Curve



■ ENVIRONMENTAL SPECIFICATIONS

PARAMETER	VALUE
Operating Temperature Range	-40 to +80°C
Storage Temperature Range	-40 to +85°C
ESD Protection	Observe ESD precautions when handling

May, 2016