

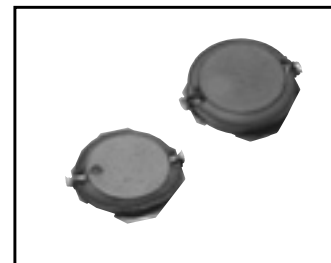
LOW PROFILE POWER INDUCTORS [CXRD1015 · CXRD1024 Series]

Features

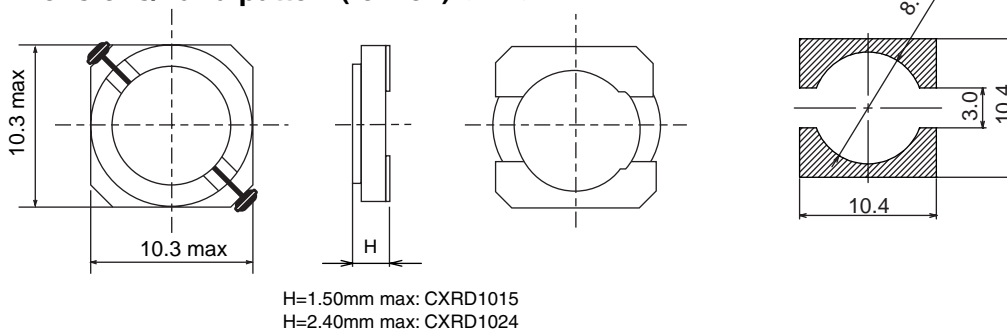
- Low profile less than 1.5mm/2.4mm
- Small DCR and large rated current
- Low noise and leakage flux
- RoHS Compliant

Applications

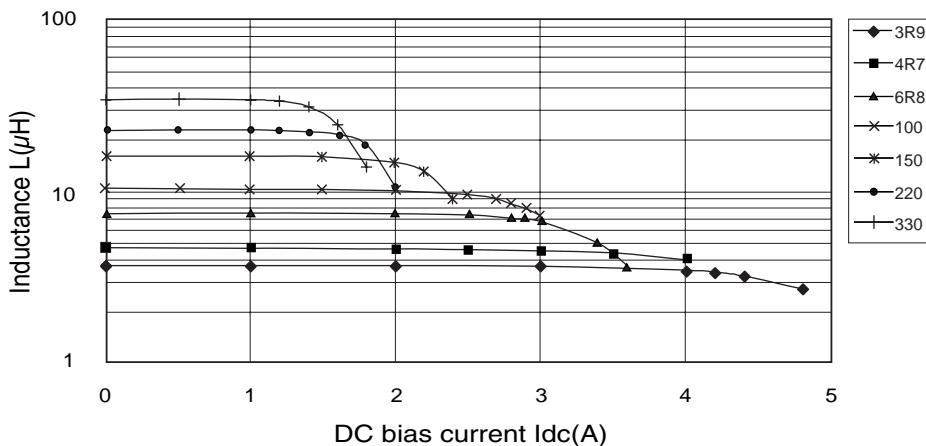
- DC/DC converters for
- LCD panels for Monitors
 - Digital video and still cameras
 - Hard disk drivers and others.



Dimensions/Land pattern(for ref.)<mm>



Inductance vs. DC bias current



Part number list · Specifications

(代表値)

Series	Part number	Inductance L(μH) (1)	DC resistance Rdc(Ω) (2)	Rated current Idc1/ Idc2(A) (3)	Operating temperature range Ta() (4)
CXRD1015	CXRD1015-2R7	2.7±20%	0.035	3.4	-25~100
	CXRD1015-3R3	3.3±20%	0.047	3.0	
	CXRD1015-4R7	4.7±20%	0.059	2.6	
	CXRD1015-6R8	6.8±20%	0.088	2.1	
	CXRD1015-100	10±20%	0.116	1.8	
	CXRD1015-220	22±20%	0.24	1.2	
	CXRD1015-470	47±20%	0.545	0.8	
CXRD1024	CXRD1024-3R9	3.9±25%	0.030	4.4/3.8	
	CXRD1024-4R7	4.7±25%	0.032	4.0/3.6	
	CXRD1024-6R8	6.8±25%	0.056	3.0/2.7	
	CXRD1024-100	10.0±25%	0.068	2.7/2.6	
	CXRD1024-150	15.0±25%	0.100	2.1/1.7	
	CXRD1024-220	22.0±25%	0.148	1.7/1.4	
	CXRD1024-330	33.0±25%	0.210	1.4/1.2	

Note : (1)Ta=25、Idc=0A (2)Ta=25 (3)CXRD1015 : Inductance change ratio | L/LI 20% or T 40
CXRD1024 : Idc1 : Inductance change ratio | L/LI 20% Idc2 : Temperature rise T 40 (4)Including temperature rise. Custom specifications are available.