

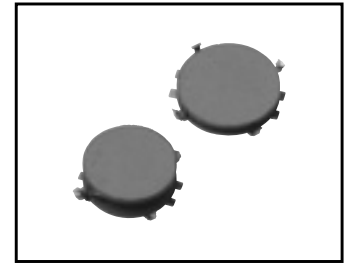
**FOOT PRINT AND LOW PROFILE POWER INDUCTORS [ CXMD0612 · 0622 Series ]**

**Features**

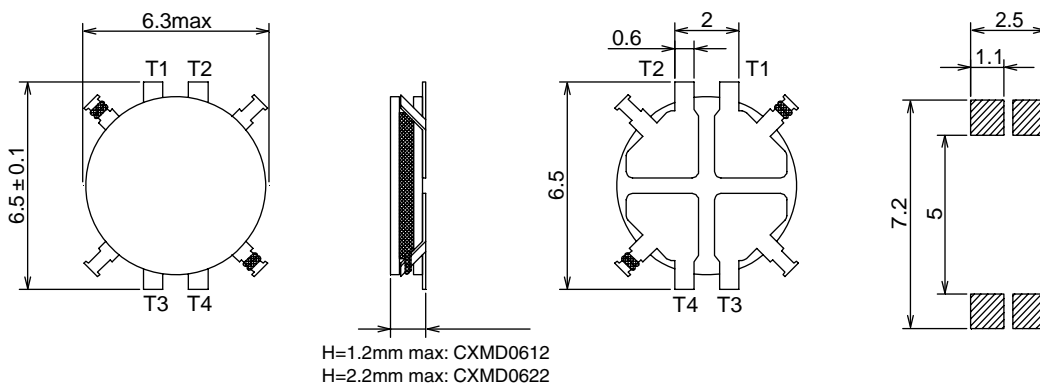
- Low profile less than 1.2mm/2.2mm
- RoHS Compliant

**Applications**

- Amusement equipment
- FA machinery
- General power supply
- Ideal for a variety of DC/DC converter inductor applications.



**Dimensions/Land pattern(for ref.)<mm>**



**Part number list · Specifications**

( Typical )

Series	Part number	Inductance L( $\mu$ H ) (1)	DC resistance Rdc( $\Omega$ ) (2)	Rated current Idc1/ Idc2(A) (3)	Operating temperature range Ta( ) (4)
CXMD0612	CXMD0612-1R7	1.7 $\pm$ 20%	0.070	3.00/2.10	-25~100
	CXMD0612-2R2	2.2 $\pm$ 20%	0.079	2.70/2.00	
	CXMD0612-3R1	3.1 $\pm$ 20%	0.122	2.20/1.50	
	CXMD0612-3R3	3.3 $\pm$ 20%	0.149	2.10/1.40	
	CXMD0612-4R2	4.2 $\pm$ 20%	0.173	1.90/1.25	
	CXMD0612-6R8	6.8 $\pm$ 20%	0.321	1.40/0.90	
	CXMD0612-100	10 $\pm$ 20%	0.427	1.20/0.80	
CXMD0622	CXMD0622-1R7	1.7 $\pm$ 25%	0.034	4.5/2.7	
	CXMD0622-2R2	2.2 $\pm$ 25%	0.038	4.1/2.6	
	CXMD0622-3R1	3.1 $\pm$ 25%	0.048	3.6/2.4	

Note : (1)Ta=25、Idc=0A (2)Ta=25 (3)Idc1:Inductance change ratio | L/LI 10% Idc2:Temperature rise T 40 (4)Including temperature rise Custom specifications are available.

POWER INDUCTORS