

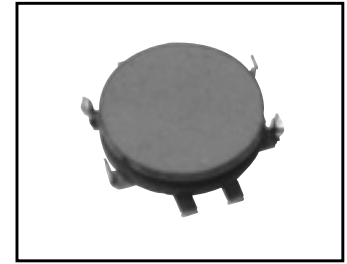
FOOT PRINT AND LOW PROFILE POWER INDUCTORS [CXMD0512 Series]

Features

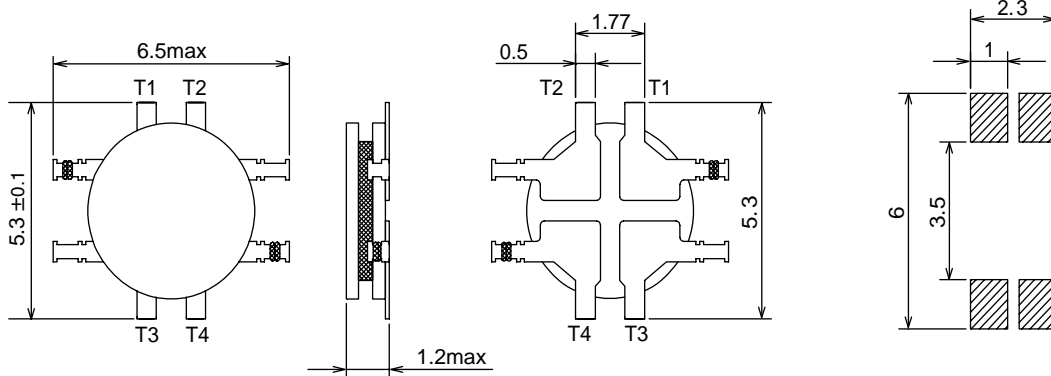
- footprint and low profile
6.5mm × 5.3(max)mm × 1.2(max)mm
- RoHS Compliant

Applications

- Amusement equipment
- FA machinery
- General power supply
- Ideal for a variety of DC/DC converter inductor applications.



Dimensions/Land pattern(for ref.)<mm>



Part number list · Specifications

(代表値)

Series	Part number	Inductance L(μ H) (1)	DC resistance Rdc(Ω) (2)	Rated current Idc1/ Idc2(A) (3)	Operating temperature range Ta(°) (4)
CXMD0512	CXMD0512-2R2	2.2±20%	0.113	1.90/1.40	-25~100
	CXMD0512-3R3	3.3±20%	0.144	1.60/1.20	
	CXMD0512-4R7	4.7±20%	0.205	1.30/1.05	
	CXMD0512-6R8	6.8±20%	0.277	1.10/0.95	
	CXMD0512-100	10±20%	0.367	0.90/0.80	
	CXMD0512-150	15±20%	0.515	0.80/0.70	
	CXMD0512-220	22±20%	0.766	0.65/0.55	
	CXMD0512-330	33±20%	1.193	0.55/0.45	
CXMD0512-470	47±20%	1.563	0.48/0.40		

Note : (1)Ta=25 °C、Idc=0A (2)Ta=25 °C (3)Idc1:Inductance change ratio | L/LI 10% Idc2:Temperature rise T 40 °C (4)Including temperature rise
Custom specifications are available.