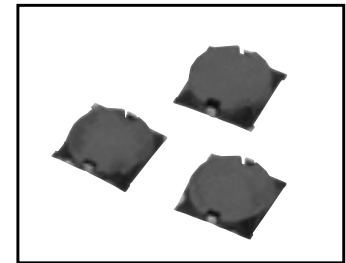


**LOW PROFILE POWER INDUCTORS [ CXLP100 · 120 · 150 Series ]**

**Features**

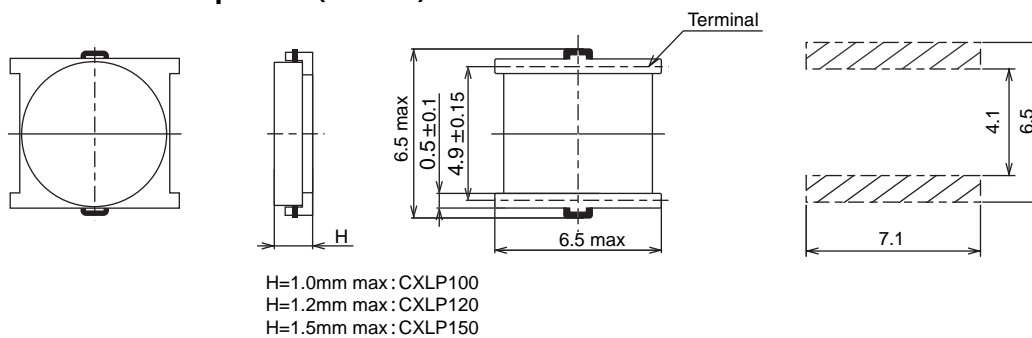
- Low profile less than 1.0/1.2/1.5mm
- Low noise and leakage flux by closed magnetic path
- High mechanical strength
- RoHS Compliant



**Applications**

- DC/DC converters for
- LCD panels
  - Digital video/still cameras
  - Cellular phones, PDAs, and others

**Dimensions/Land pattern(for ref.)<mm>**



**Part number list · Specifications**

( Typical )

Series	Part number	Inductance L(μH) (1)	DC resistance Rdc(Ω) (2)	Rated current Idc(A) (3)	Operating temperature range Ta( ) (4)
CXLP100	CXLP100-2R2	2.2±20%	0.13	1.30	-25~100
	CXLP100-3R3	3.3±20%	0.16	1.10	
	CXLP100-4R7	4.7±20%	0.19	1.00	
	CXLP100-100	10±20%	0.50	0.60	
	CXLP100-150	15±20%	0.76	0.50	
	CXLP100-220	22±20%	0.90	0.40	
	CXLP100-330	33±20%	1.40	0.30	
CXLP100-470	47±20%	2.30	0.25		
CXLP120	CXLP120-4R7	4.7±20%	0.15	1.20	
	CXLP120-6R8	6.8±20%	0.18	1.00	
	CXLP120-100	10±20%	0.28	0.80	
	CXLP120-150	15±20%	0.45	0.65	
	CXLP120-220	22±20%	0.59	0.55	
	CXLP120-470	47±20%	0.95	0.45	
CXLP120-101	100±20%	2.50	0.20		
CXLP150	CXLP150-4R7	4.7±20%	0.13	1.20	
	CXLP150-100	10±20%	0.17	0.90	
	CXLP150-150	15±20%	0.33	0.75	
	CXLP150-220	22±20%	0.37	0.70	
	CXLP150-330	33±20%	0.50	0.50	
	CXLP150-470	47±20%	0.70	0.40	

Note : (1)Ta=25、Idc=0A (2)Ta=25 (3)Inductance change ratio | L/LI 10% or T 40 (4)Including temperature rise  
 Custom specifications are available.

POWER INDUCTORS