

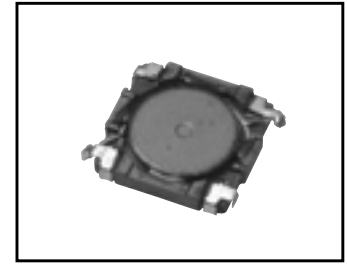
FOOT PRINT AND LOW PROFILE POWER INDUCTORS [CXKH0612 Series]

Features

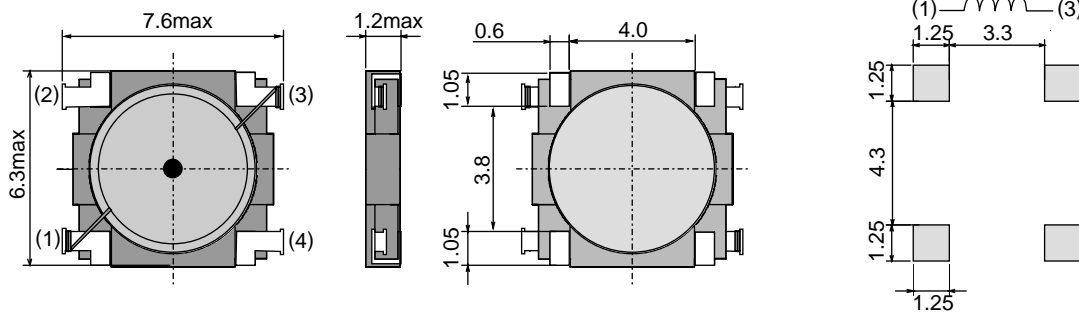
- Shielded power inductors with the footprint, 1.2mm height 7.6mm × 6.3(max)mm × 1.2(max)mm
- Low noise and flux by closed magnetic path structure
- Low AC loss
- RoHS Compliant

Applications

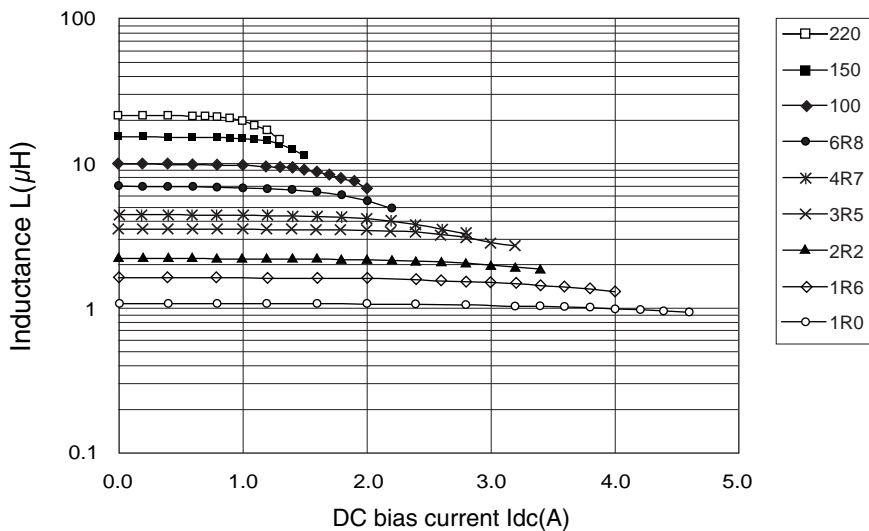
- DC-DC converters for
- LCD, Digital still cameras, Digital video cameras, and others



Dimensions/Land pattern(for ref.)<mm>



Inductance vs. DC bias current



Part number list · Specifications

(Typical)

| Series | Part number | Inductance L(μ H) (1) | DC resistance Rdc(Ω) (2) | Rated current Idc1/ Idc2(A) (3) | Operating temperature range Ta(°) (4) |
|----------|--------------|-------------------------|--------------------------|---------------------------------|---|
| CXKH0612 | CXKH0612-1R0 | 1.0 ± 25% | 0.076 | 1.40/2.60 | -25~100 |
| | CXKH0612-1R6 | 1.6 ± 25% | 0.102 | 1.20/2.50 | |
| | CXKH0612-2R2 | 2.2 ± 25% | 0.113 | 1.10/2.40 | |
| | CXKH0612-3R5 | 3.5 ± 25% | 0.160 | 0.92/2.10 | |
| | CXKH0612-4R7 | 4.7 ± 25% | 0.184 | 0.84/2.00 | |
| | CXKH0612-6R8 | 6.8 ± 25% | 0.272 | 0.70/1.45 | |
| | CXKH0612-100 | 10 ± 25% | 0.445 | 0.52/1.00 | |
| | CXKH0612-150 | 15 ± 25% | 0.630 | 0.44/0.90 | |
| | CXKH0612-220 | 22 ± 25% | 0.915 | 0.34/0.80 | |

Note : (1)Ta=25 °C、Idc=0A (2)Ta=25 °C (3)Idc1:Temperature rise T ≤ 40 °C Idc2:Inductance change ratio (excluding temperature rise) | L/L1 10% (4)Including temperature rise Custom specifications are available.