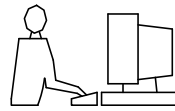


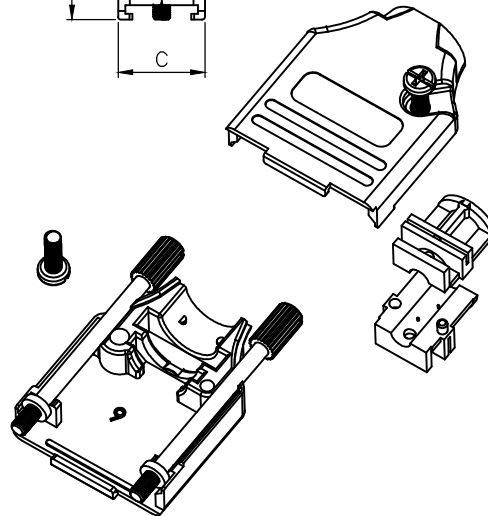
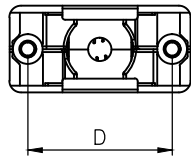
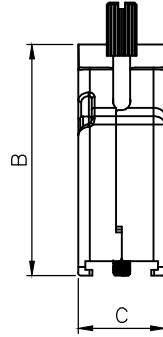
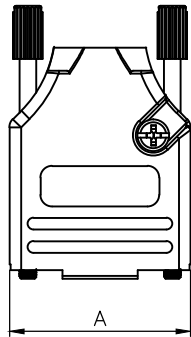
THIS IS A C.A.D. GENERATED DRAWING
DO NOT MAKE MANUAL REVISIONS TO MASTER.



* UNLESS OTHERWISE SPECIFIED TOLERANCES
ON DECIMAL IS: ANGLE $\pm 1^\circ$
UNIT: MM .XX ± 0.35

BACKSHELL KIT INCLUDES:

- (2)BACKSHELL HALVES
- (2)4-40 THUMBSCREWS
- (2)HOUSING SCREWS
- (1)SET OF COMPRESSION INSERTS-VARIOUS SIZES FOR 9-37
DIAMETERS 4mm(.157"), 5mm(.167"), 7mm(.276"), 9mm(.354")



DIMENSIONS(mm/in)				
SIZE	A ± 0.02	B ± 0.02	C ± 0.02	D ± 0.01
9	31.20	39.90	15.00	24.99
	1.228	1.571	0.591	0.984
15	39.50	41.50	15.00	33.32
	1.555	1.634	0.591	1.312
25	53.40	48.60	15.00	47.04
	2.102	1.913	0.591	1.852
37	69.70	53.60	15.00	63.50
	2.744	2.110	0.591	2.500

ORDERING INFORMATION:

SIZE	P/N - KITTED	PRODUCT CODE
9-WAY	6560-0115-01	MHDTZK-09-RA-BK-K
15-WAY	6560-0115-02	MHDTZK-15-RA-BK-K
25-WAY	6560-0115-03	MHDTZK-25-RA-BK-K
37-WAY	6560-0115-04	MHDTZK-37-RA-BK-K

SIZE	P/N - BULK	PRODUCT CODE
9-WAY	6561-0115-01	MHDTZK-09-RA-BK
15-WAY	6561-0115-02	MHDTZK-15-RA-BK
25-WAY	6561-0115-03	MHDTZK-25-RA-BK
37-WAY	6561-0115-04	MHDTZK-37-RA-BK

BACKSHELL MATERIAL:
PLATING:
JACKSCREWS:
M3 HOODSCREWS:
COMPRESSION INSERT:
OPERATING TEMP:

DIE-CAST ZINC ALLOY
CLEAR CHROMATE FOLLOWED BY BLACK ENAMEL
STEEL:BLACK OXIDE FINISH
STEEL:BLACK OXIDE FINSH
ABS,UL RECOGNIZED
-40°C TO+120°C

THESE DRAWINGS AND SPECIFICATIONS ARE THE PROPERTY OF MH CONNECTORS LTD. AND SHALL NOT BE REPRODUCED, COPIED OR USED AS THE BASIS FOR THE MANUFACTURE OR SALE OF APPARATUS WITHOUT WRITTEN PERMISSION.

DRAWN
Johnny
DATE
12-31-12

APPROVED
DATE

SCALE
1:1
SHEET OF
1 OF 1
REV:
1.0

DRAWING No
MHDTZK-RA-BK



THIS SERIES FULLY CONFORMS TO THE EUROPEAN UNION DIRECTIVES 2002/95/EC AND 2002/96/EC FOR RoHS COMPLIANCY.



MH CONNECTORS LTD.