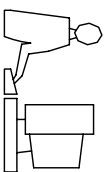
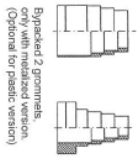


THIS IS A C.A.D. GENERATED DRAWING  
DO NOT MAKE MANUAL REVISIONS TO MASTER.

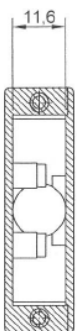


**BACKSHELL KIT INCLUDES:**

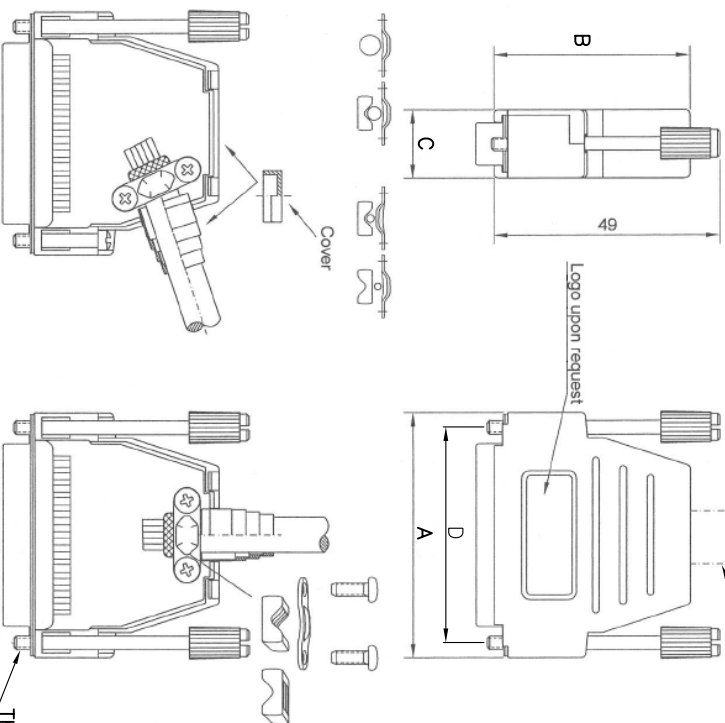
- (2) BACKSHELL HALVES
- (3)-4-40 THUMBSCREWS
- (2) CLAMP SCREWS
- (2) CLAMP SCREWS
- (1) BLANKING PLUG
- (1) SET OF COMPRESSION INSERTS-VARIOUS SIZES FOR 9-37



Blanking grommet (Optional for plastic version)



max O.D 11,5mm



\* UNLESS OTHERWISE SPECIFIED TOLERANCES  
ON DECIMAL IS: ANGLE ± 1°  
UNIT: MM .XX ± 0.35

**DIMENSIONS(mm/in)**

SIZE	DIMENSIONS(mm/in)			
	A ±.25 ±0.10	B ±.25 ±0.10	C ±.25 ±0.10	D ±.13 ±.05
9	31.5	40.0	15.00	24.99
	1.240	1.575	0.591	0.984
15	40.0	40.0	15.00	33.32
	1.575	1.575	0.591	1.312
25	53.5	43.0	15.00	47.04
	2.106	1.693	0.591	1.852
37	71.3	40.0	15.00	63.50
	2.807	1.575	0.591	2.500

**ORDERING INFORMATION:**

SIZE	P/N - KITTED	PRODUCT CODE
9-WAY	6260-0107-01	MHSSK-P-09-L-K
15-WAY	6260-0107-02	MHSSK-P-15-L-K
25-WAY	6260-0107-03	MHSSK-P-25-L-K
37-WAY	6260-0107-14	MHSSK-P-37-S-K

SIZE	P/N - BULK	PRODUCT CODE
9-WAY	6261-0107-01	MHSSK-P-09-L
15-WAY	6261-0107-02	MHSSK-P-15-L
25-WAY	6261-0107-03	MHSSK-P-25-L
37-WAY	6261-0107-14	MHSSK-P-37-S

BACKSHELL MATERIAL: ABS,UL RECOGNIZED BLACK  
JACKSCREWS: STEEL:ZN PLATED WITH PLASTIC KNOB  
COMPRESSION INSERT: ABS,UL RECOGNIZED  
CLAMP SCREW: STEEL:ZN PLATED  
OPERATING TEMP: -55°C TO+110°C

THESE DRAWINGS AND SPECIFICATIONS ARE THE PROPERTY OF MH CONNECTORS LTD. AND SHALL NOT BE REPRODUCED, COPIED OR USED AS THE BASIS FOR THE MANUFACTURE OR SALE OF APPARATUS WITHOUT WRITTEN PERMISSION.

DRAWN	DATE
Johnny	12-04-12
APPROVED	DATE



THIS SERIES FULLY CONFORMS TO THE  
EUROPEAN UNION DIRECTIVES 2002/95/EC  
AND 2002/96/EC FOR ROHS COMPLIANCY.



**MH CONNECTORS LTD.**

SCALE	SHEET OF	REV:
1:1	1 DF 1	1.0
DRAWING No		
MHSSK-P-XX-L/S		