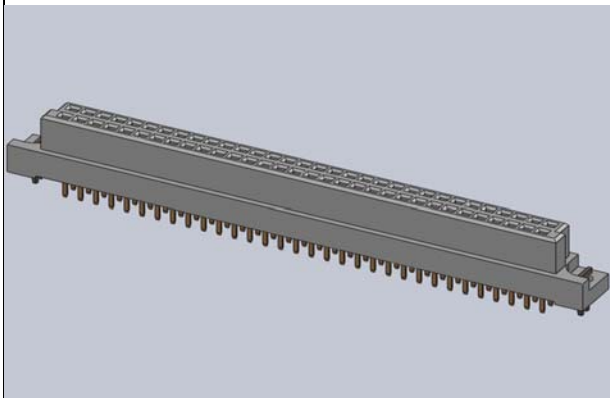


227 Idema Road, Markham,
Ontario Canada, L3R 1B1
Tel: +1 416 754-3322
Fax: +1 416 754-3299
Email: info@edac.net
http://www.edac.net



Standard **Interconnect Products** &
Custom Engineered **Solutions**



SERIES 464-164-221-211

STYLE _____
NUMBER OF CONTACTS _____
GOLD PLATING THICKNESS _____
CONTACT CODE _____
CONTACT ROW ARRANGEMENT _____
CONTACT SPACING ARRANGEMENT _____
MOUNTING OPTIONS _____

STYLE
1- STANDARD STYLE (STRAIGHT)

GOLD PLATING THICKNESS

- 2- GOLD FLASH
- 3- 15 MICRINCHES OF GOLD
- 6- 30 MICRINCHES OF GOLD

CONTACT CODE

21- PCB TAIL .157 (4.0) LG.

22- PCB TAIL .098 (2.5) LG.

CONTACT ROW ARRANGEMENT

- 1- CONTACTS ON ROW "A"
- 2- CONTACTS ON ROW "A" AND "B"

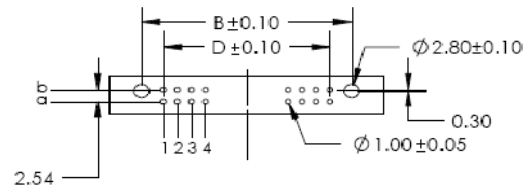
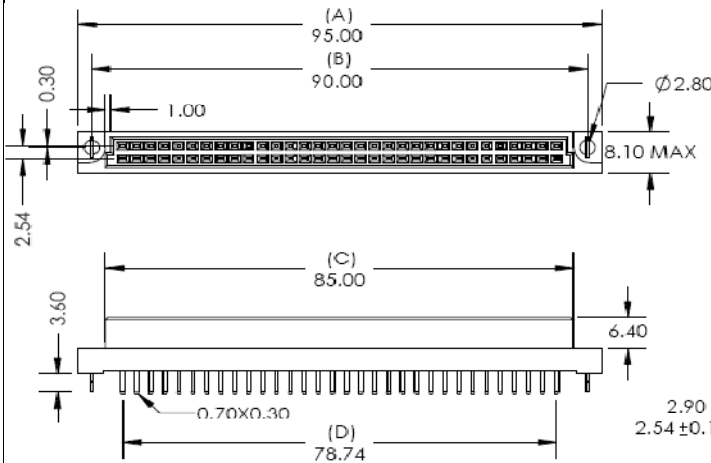
CONTACT SPACING ARRANGEMENT

- 1- ROWS FULLY LOADED
- 2- EVEN NUMBER LOADED

MOUNTING OPTIONS

- 1- ϕ .110" (ϕ 2.80mm) , THROUGH HOLE
- 3- ϕ .110" (ϕ 2.80mm) HOLE WITH TWO-PRONG BOARD LOCK

PITCH	NUMBER OF CONTACTS	CONTACT ROW ARRANGEMENT	CONTACT SPACING ARRANGEMENT
2.54MM	64	a b	1- ROWS FULLY LOADED
	44	a b	
	32	a b	
	32	a -	
	22	a -	
5.08MM	16	a -	2- EVEN NUMBER LOADED
	32	a b	
	22	a b	
	16	a b	
	11	a -	
8	a -	2- EVEN NUMBER LOADED 	



P.C. BOARD PATTERN

Dimension D at 2.54 Pitch:

- 1 Row: D= No. of Positions-1 X 2.54
- 2 Rows: D= (No. of Positions/2)-1 X 2.54

Features:

- High density 64 Contacts 2 Rows Metal-to-Metal Connector on 2.54mm (.100") Grid
- Contact Material : Copper Alloy with selective gold plating and tin on tails :
- 2- Gold Flash Plating
- 3- 15u" of Gold Plating
- 6- 30u" of Gold Plating
- Contact Tails: 0.7 x 0.3mm (.027" x .012") Rectangular
- Contact Spacing: 2.54 x 2.54mm (.100" x .100") single or double rows; or 2.54 x 5.08mm (.100" x .200") single or double rows
- Available in: 8, 11, 16, 22, 32, 44, and 64 positions
- Connectors designed to meet DIN 41612-B (Female) specifications

Specifications:

- Current Rating: 2 Amperes @ 20°C
- Contact Material: Copper Alloy
- Contact Plating: Selective Gold Plating
- Contact Resistance: 20 milliohms, maximum
- Insulator Material: Thermoplastic Polyester Glass Filled, UL 94V-0
- Insulation Resistance: Mated - 1000 Mega (10⁶) ohms min
- Dielectric Withstanding Voltage: 1000 V.A.C RMS
- Basic Grid: 2.54mm (.100")
- Operating Temperature: -55°C to +105°C