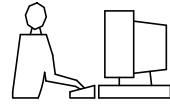


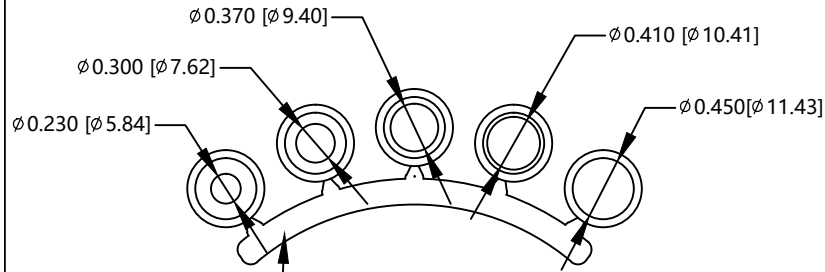
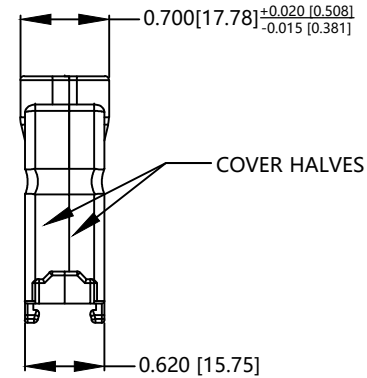
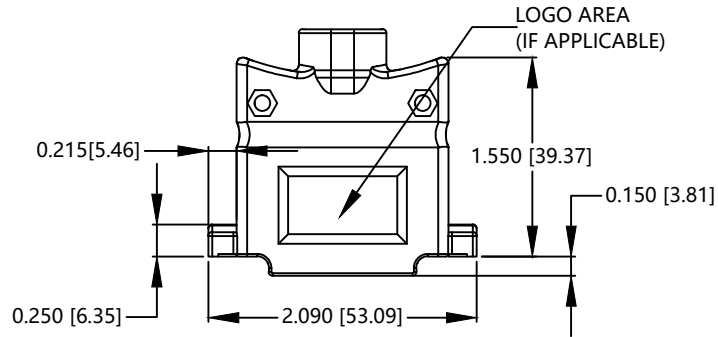
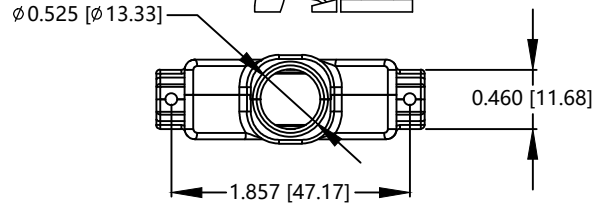
THIS IS A C.A.D. GENERATED DRAWING  
DO NOT MAKE MANUAL REVISIONS TO MASTER.



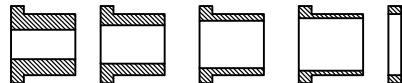
\* UNLESS OTHERWISE SPECIFIED TOLERANCES  
ON DECIMAL IS: ANGLE  
UNIT: MM X.  
X.X

ISSUE NUMBER

ORIGINAL ①



COMPRESSION INSERT TREE  
QTY. 1



#4-40 X 7/16" FILLISTER HEAD MACHINE SCREW  
MATERIAL - STEEL  
FINISH - BRIGHT ZINC  
QTY: 2 EACH



#4-40 #2 BLANK HEX NUT  
MATERIAL - STEEL  
FINISH - BRIGHT ZINC  
QTY: 2 EACH



FILLISTER HEAD MATING SCREW  
HEAD STYLE - SEE PAGE 2  
MATERIAL - SEE PAGE 2  
FINISH - SEE PAGE 2  
QTY: 2 EACH



#4 SADDLE WASHER  
MATERIAL - STEEL  
FINISH - BRIGHT ZINC  
QTY: 2 EACH



CONNECTOR COVER:

- 1.MATERIAL : ZINC ALLOY
- 2.FINISH : BRIGHT ZINC PLATING PER NTC SPECIFICATION N/T 000100
- 3.DIMENSIONS : INCHES [MM]
- 4.UNLESS OTHERWISE STATED - TOLERANCE : ±0.015 [0.381]

COMPRESSION INSERT TREE

- 1.MATERIAL : THERMOPLASTIC
- 2.COLOR : BLACK
- 3.DUROMETER: 75±5 TYPE A PER ASTM D2240
- 4.DIMENSIONS : INCHES [MM]
- 5.TOLERANCE : ±0.020 [0.508]

THESE DRAWINGS AND SPECIFICATIONS ARE THE PROPERTY OF MH CONNECTORS AND SHALL NOT BE REPRODUCED, COPIED OR USED AS THE BASIS FOR THE MANUFACTURE OR SALE OF APPARATUS WITHOUT WRITTEN PERMISSION.

DRAWN Henry Pan		DATE 2023/02/28	
APPROVED		DATE	
SCALE 1:1	SHEET OF 1 OF 2	REV: 1	
DRAWING No MHC88E000204			



THIS SERIES FULLY CONFORMS TO THE EUROPEAN UNION DIRECTIVES 2015/863/EU AND 2011/65/EU FOR RoHS COMPLIANCY.



MH CONNECTORS,  
DIVISION OF EDAC