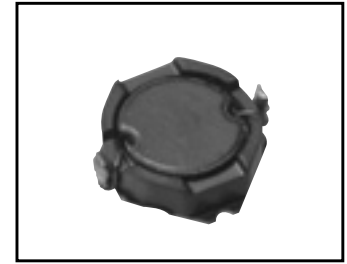


SMALL FOOT PRINT AND LOW PROFILE POWER INDUCTORS [CXFU0312 Series]

Features

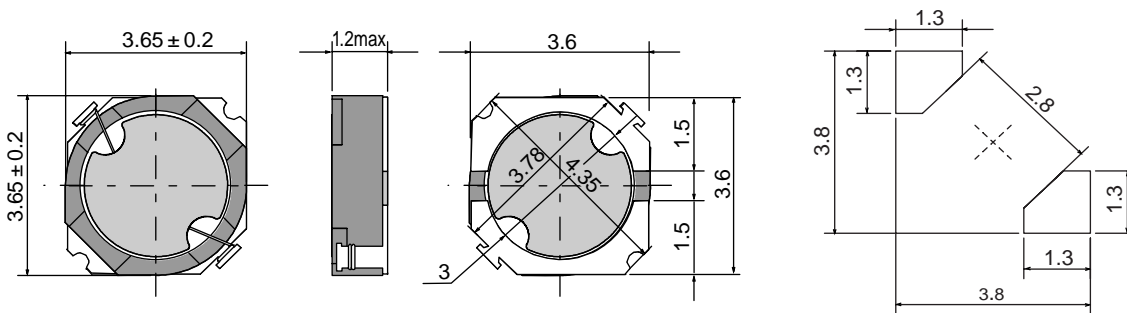
- Small footprint and low profile
3.65mm × 3.65mm × 1.2(max)mm
- Low noise and flux by closed magnetic path structure
- RoHS Compliant



Applications

- DC-DC converters for
- Small sized LCDs
 - Cellular phones
 - Digital still cameras, Digital video cameras
 - Ideal for a variety of DC/DC converter inductor applications.

Dimensions/Land pattern(for ref.)<mm>



Part number list · Specifications

(Typical)

Series	Part number	Inductance L(μ H) (1)	DC resistance Rdc(Ω) (2)	Rated current I _{dc1} / I _{dc2} (A) (3)	Operating temperature range Ta(°C) (4)
CXFU0312	CXFU0312-2R2	2.2 ± 20%	0.08	1.60/1.40	-25~125
	CXFU0312-3R3	3.3 ± 20%	0.11	1.40/1.15	
	CXFU0312-4R7	4.7 ± 20%	0.14	1.15/1.10	
	CXFU0312-100	10 ± 20%	0.28	0.86/0.75	
	CXFU0312-150	15 ± 20%	0.42	0.72/0.62	
	CXFU0312-220	22 ± 20%	0.62	0.55/0.50	

Note : (1)Ta=25 °C、I_{dc}=0A (2)Ta=25 °C (3)I_{dc1}:Inductance change ratio | L/LI 30% I_{dc2}:Temperature rise T 40 °C (4)Including temperature rise
Custom specifications are available.