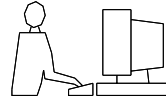


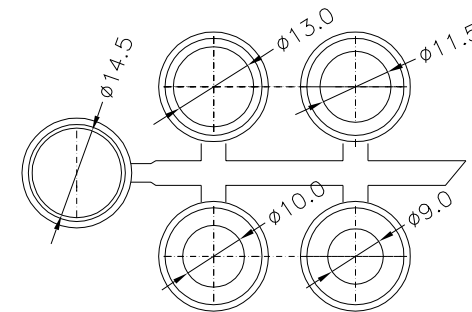
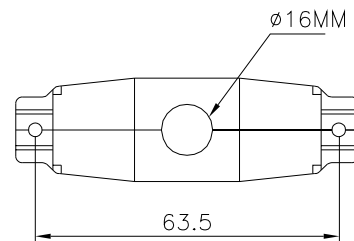
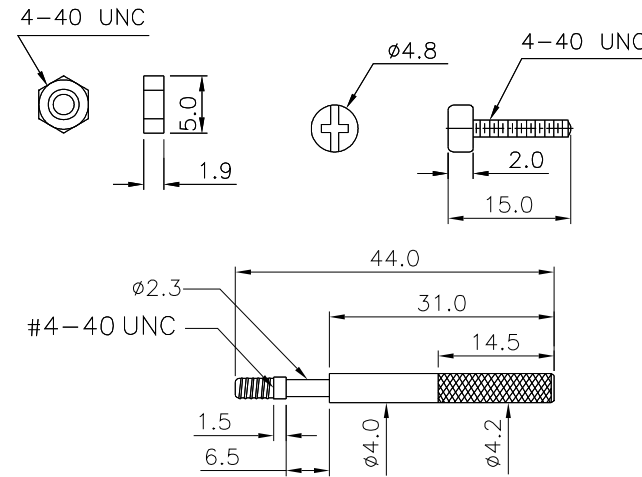
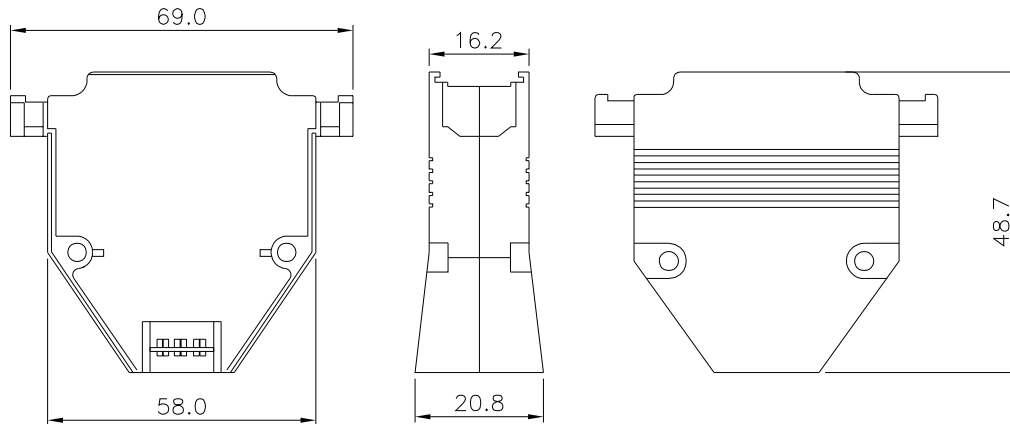
THIS IS A C.A.D. GENERATED DRAWING
DO NOT MAKE MANUAL REVISIONS TO MASTER.



* UNLESS OTHERWISE SPECIFIED TOLERANCES
ON DECIMAL IS: ANGLE ± 1°
UNIT: MM X. ± 0.5
.X ± 0.3
.XX ± 0.2

BACKSHELL KIT INCLUDES:

- (2) BACKSHELL HALVES
- (2) 4-40 SHELLSCREWS
- (2) NUTS
- (2) 4-40 LONG JACKSCREW (MEL-VERSION)
- (1) SET OF COMPRESSION INSERTS-VARIOUS SIZES DIAMETERS 9mm, 10mm, 11.5mm, 13mm, 14.5mm



BACKSHELL MATERIAL: ZINC ALLOY
PLATING: CHROMATE PLATED
JACKSCREWS: STEEL
SHELLSCREWS: STEEL

THESE DRAWINGS AND SPECIFICATIONS ARE THE PROPERTY OF MH CONNECTORS LTD. AND SHALL NOT BE REPRODUCED, COPIED OR USED AS THE BASIS FOR THE MANUFACTURE OR SALE OF APPARATUS WITHOUT WRITTEN PERMISSION.

DRAWN Change zhang	DATE 11-18-16
------------------------------	-------------------------

APPROVED Victor Lin	DATE 11-18-16
-------------------------------	-------------------------

SCALE	SHEET OF 1 OF 1	REV: 1.0
--------------	---------------------------	--------------------

DRAWING No
MHCCOV37-MEL-RG



THIS SERIES FULLY CONFORMS TO THE EUROPEAN UNION DIRECTIVES 2002/95/EC AND 2002/96/EC FOR RoHS COMPLIANCY.



MH CONNECTORS,
DIVISION OF EDAC