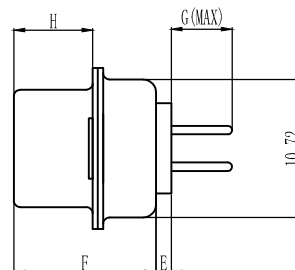
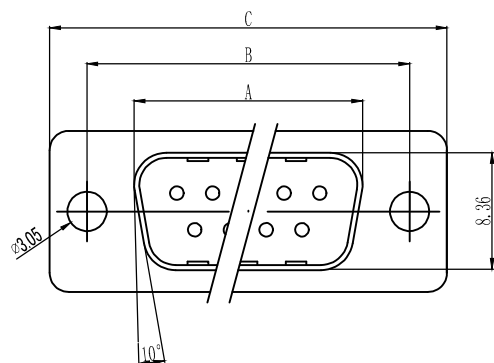


THIS IS A C.A.D. GENERATED DRAWING  
DO NOT MAKE MANUAL REVISIONS TO MASTER.



\* UNLESS OTHERWISE SPECIFIED TOLERANCES  
ON DECIMAL IS: ±0.35  
UNIT: MM



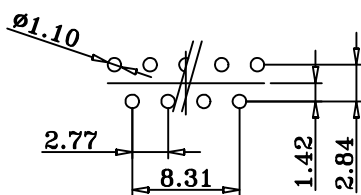
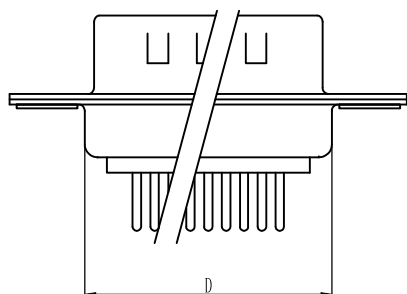
**“D-SUB” CONNECTOR STRAIGHT DIP TYPE “PLUG” MACHAINED PIN.  
PRODUCT:ROHS**

**1.MATERIAL & FINISH**

- 1.1. SHELL: STEEL NICKEL TIN PLATED.
- 1.2. PIN CONTACT: BRASS GOLD PLATED OVER NICKEL.
- 1.3. INSULATOR: PBT & GLASS-FIBRE REINFORCED  
UL 94V-0 .

**2.ELECTRICAL CHARACTERISTICS:**

- 2.1. CONTACT RATING: 5 AMP.
- 2.2. DIELECTRIC STRENGTH: 1000V FOR ONE MINUTE.
- 2.3. INSULATOR RESISTANCE: 1000MΩ MIN AT 500V DC.
- 2.4. TEMPERATURE: -55°C~+105°C



**P.C.B LAYOUT**

Order information	Dimensions(mm)								
Part Number	SIZE	A±0.13	B±0.13	C±0.35	D±0.35	E±0.35	F±0.35	G±0.35	H±0.35
MHDD09-M-T-B-M	9	16.92	24.99	30.81	19.23	1.0	10.8	4.50	5.84
MHDD15-M-T-B-M	15	25.25	33.32	39.14	27.56	1.0	10.8	4.50	5.84
MHDD25-M-T-B-M	25	38.96	47.04	53.04	41.30	1.0	10.8	4.50	5.84
MHDD37-M-T-B-M	37	55.42	63.50	69.32	57.71	1.0	10.8	4.50	5.84
MHDD50-M-T-B-M	50	52.86	61.11	66.92	55.30	1.0	10.8	4.50	5.84

THESE DRAWINGS AND SPECIFICATIONS ARE THE PROPERTY OF MH CONNECTORS LTD. AND SHALL NOT BE REPRODUCED, COPIED OR USED AS THE BASIS FOR THE MANUFACTURE OR SALE OF APPARATUS WITHOUT WRITTEN PERMISSION.

DRAWN  
Haley  
DATE  
08-20-13

APPROVED  
DATE

SCALE  
SHEET OF  
1 OF 1  
REV:  
6.0

DRAWING No  
MHDDXX-M-T-B-M

**MH CONNECTORS LTD.**



THIS SERIES FULLY CONFORMS TO THE EUROPEAN UNION DIRECTIVES 2002/95/EC AND 2002/96/EC FOR RoHS COMPLIANCY.

