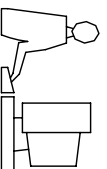


THIS IS A CAD GENERATED DRAWING  
DO NOT MAKE MANUAL REVISIONS TO MASTER.



\* UNLESS OTHERWISE SPECIFIED TOLERANCES  
ON DECIMAL IS: ANGLE ± 1°  
.X ± 0.25  
.XX ± 0.15

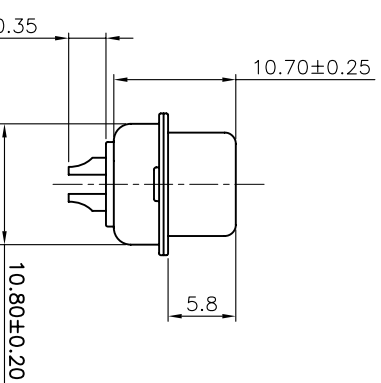
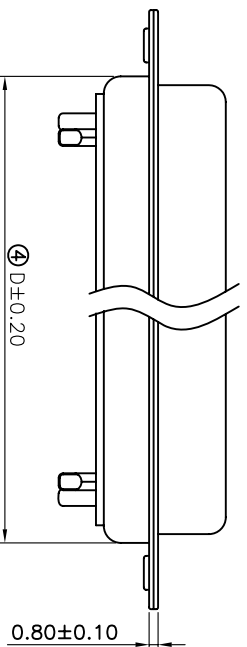
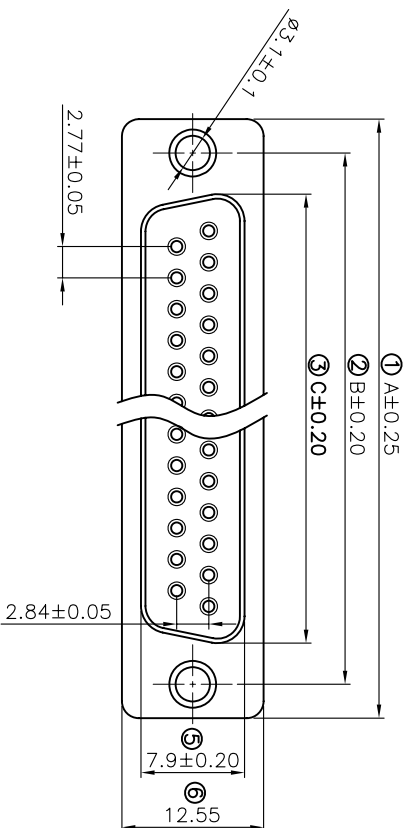
Remark:

**1.SPECIFICATION:**

Rated voltage:250V  
Rates current:5AMP  
Contact resistance:20MΩ MAX  
Insulation resistance:1000MΩ MIN.at 500V DC  
Withstand voltage:500V Per minute  
Temperature range:-55 -105°C

**2.MATERIAL:**

Plastic:PBt +30% G.F (UL94V-0) BLACK  
Terminal:brass ,tin-gold plated  
Spcc shell:Spcc front shell is ni plated back shell is tin plated



PN	PIN	A	B	C	D
MHDB9SS	09	30.88	24.88	16.17	18.94
MHDB15SS	15	39.20	33.30	24.66	27.50
MHDB25SS	25	53.02	47.04	38.38	41.20
MHDB37SS	37	69.40	63.50	55.20	57.40

THESE DRAWINGS AND SPECIFICATIONS ARE THE PROPERTY OF MH CONNECTORS LTD. AND SHALL NOT BE REPRODUCED, COPIED OR USED AS THE BASIS FOR THE MANUFACTURE OR SALE OF APPARATUS WITHOUT WRITTEN PERMISSION.

DRAWN

Johnny

DATE

07-16-12

APPROVED

DATE

SCALE

1:1

SHEET OF

1 DF 1

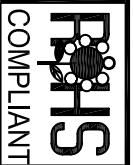
REV:

1

**MH CONNECTORS LTD.**

DRAWING No

MHDB SS



THIS SERIES FULLY CONFORMS TO THE  
EUROPEAN UNION DIRECTIVES 2002/95/EC  
AND 2002/96/EC FOR ROHS COMPLIANCY.

