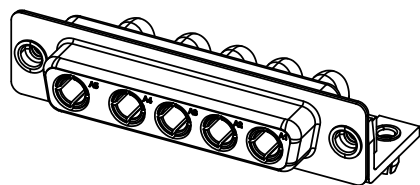


THIS IS A C.A.D. GENERATED DRAWING  
DO NOT MAKE MANUAL REVISIONS TO MASTER.



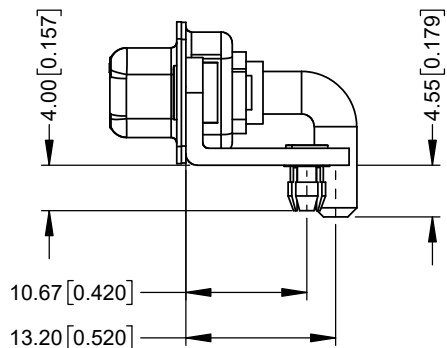
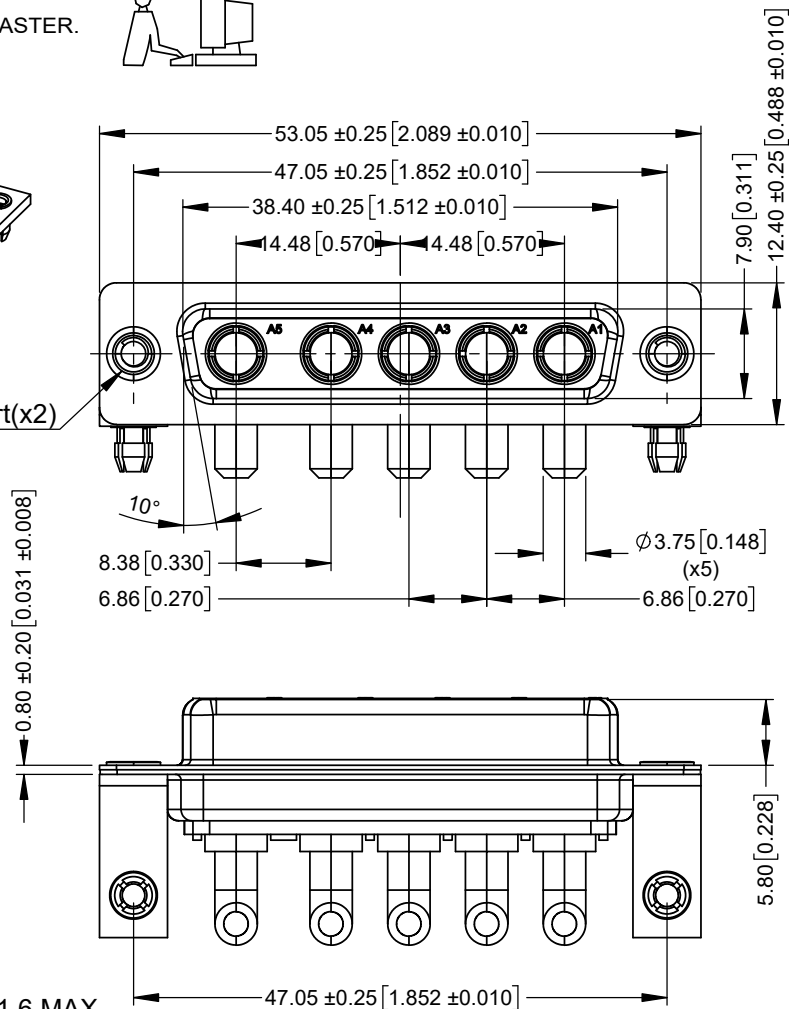
\* UNLESS OTHERWISE SPECIFIED TOLERANCES  
ON DECIMAL IS: UNIT: MM UNIT: INCH  
 X.X ± 0.25 X.X ± 0.010  
 X.XX ± 0.13 X.XX ± 0.005  
 X.XXX ± 0.05 X.XXX ± 0.002  
 X.° ± 1° X.° ± 1°  
 X.X° ± 0.5° X.X° ± 0.5°

ISSUE NUMBER	
ORIGINAL	①



SCALE 1:1

#4-40 insert(x2)



**SPECIFICATIONS:**

**ELECTRICAL:**

INSULATOR RESISTANCE: 5 GΩ  
 DIELEC. WITHSTAND VOLTAGE: 1,000 VAC FOR 1 MIN  
 POWER CONTACT CURRENT: 40A PER CONTACT MAX  
 POWER CONTACT RESISTANCE: 2 mΩ MAX.  
 WORKING VOLTAGE: 250V

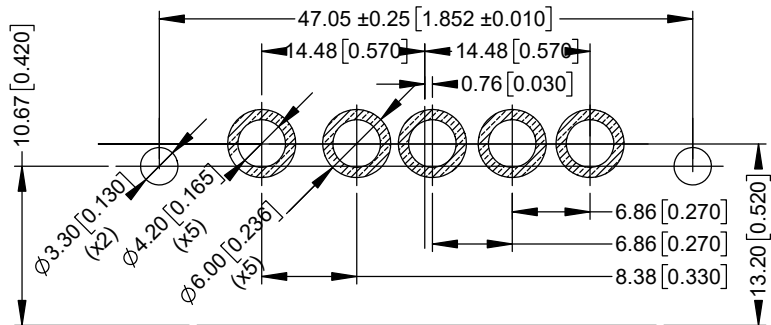
**MATERIAL:**

INSULATOR: PBT UL94 V-0, BLACK  
 SHELL: STEEL, Ni PLATED  
 CONTACTS: COPPER ALLOY, FULL GOLD FLASH

**GENERAL:**

OPERATING TEMPERATURE: -55°C ~ 125°C  
 PROCESS TEMP.: 230°C

RECOMMENDED PCB LAYOUT  
RECOMMENDED PCB THICKNESS 1.6 MAX



PCB EDGE

THESE DRAWINGS AND SPECIFICATIONS ARE THE PROPERTY OF MH CONNECTORS AND SHALL NOT BE REPRODUCED, COPIED OR USED AS THE BASIS FOR THE MANUFACTURE OR SALE OF APPARATUS WITHOUT WRITTEN PERMISSION.

DRAWN	E.P	DATE	02-05-23
APPROVED	S.R	DATE	02-05-23
SCALE	SHEET	OF	REV:
NA	1	1	1
DRAWING No		MHCDR5W5S4	



THIS SERIES FULLY CONFORMS TO THE EUROPEAN UNION DIRECTIVES 2015/863/EU AND 2011/65/EU FOR RoHS COMPLIANCY.



MH CONNECTORS,  
DIVISION OF EDAC