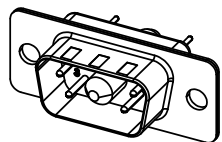


THIS IS A C.A.D. GENERATED DRAWING  
DO NOT MAKE MANUAL REVISIONS TO MASTER.



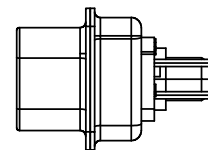
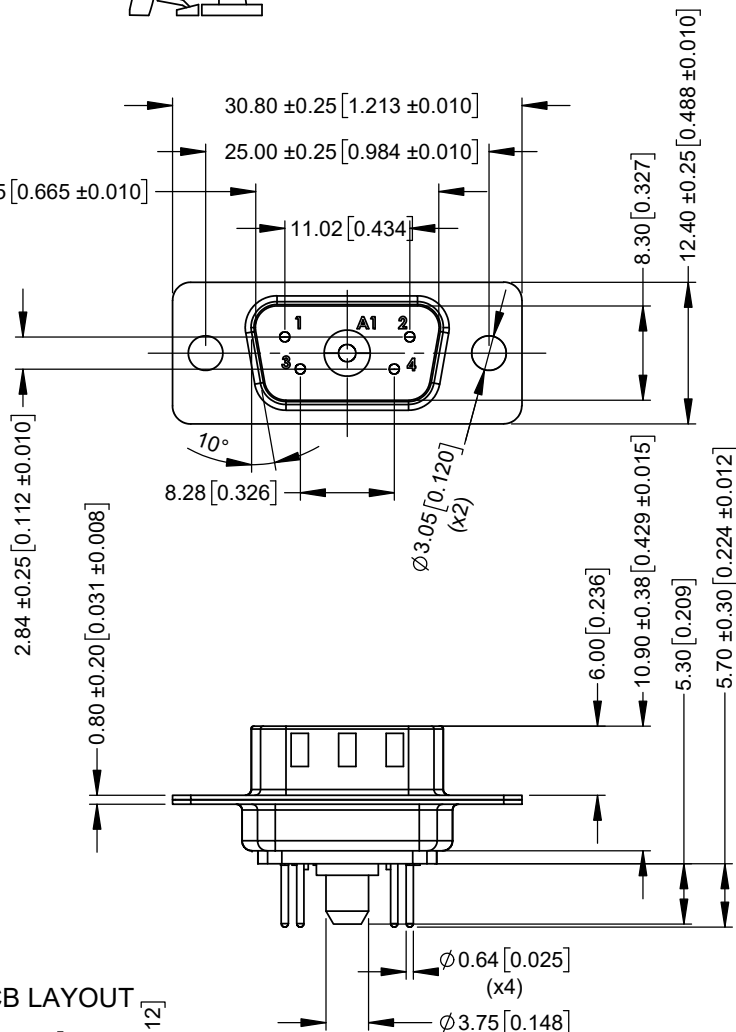
\* UNLESS OTHERWISE SPECIFIED TOLERANCES  
ON DECIMAL IS: UNIT: MM UNIT: INCH  
 X.X ± 0.25 X.X ± 0.010  
 X.XX ± 0.13 X.XX ± 0.005  
 X.XXX ± 0.05 X.XXX ± 0.002  
 X.° ± 1° X.° ± 1°  
 X.X° ± 0.5° X.X° ± 0.5°

ISSUE NUMBER	
ORIGINAL	①



SCALE 1:1

16.90 ± 0.25 [0.665 ± 0.010]



SPECIFICATIONS:

ELECTRICAL:

INSULATOR RESISTANCE: 5 GΩ  
 DIELEC. WITHSTAND VOLTAGE: 1,000 VAC R.M.S.  
 POWER CONTACT CURRENT: 40A PER CONTACT MAX  
 POWER CONTACT RESISTANCE: 2 mΩ MAX.  
 SIGNAL CONTACT CURRENT: 5A PER CONTACT MAX.  
 SIGNAL CONTACT RESISTANCE: 10 mΩ MAX.  
 WORKING VOLTAGE: 250V

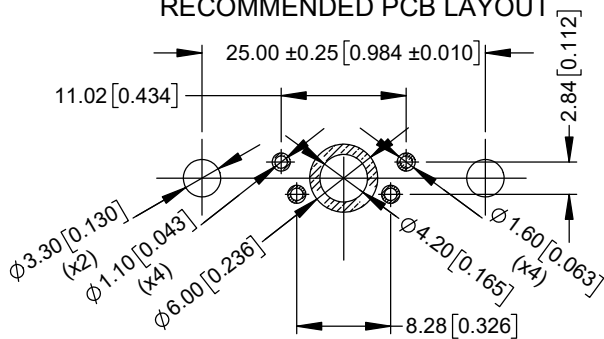
MATERIAL:

INSULATOR: PBT UL94 V-0, BLACK  
 SHELL: STEEL, Ni PLATED  
 CONTACTS: COPPER ALLOY, FULL GOLD FLASH

GENERAL:

OPERATING TEMPERATURE: -55°C ~ 125°C  
 PROCESS TEMP.: 230°C

RECOMMENDED PCB LAYOUT



THESE DRAWINGS AND SPECIFICATIONS ARE THE PROPERTY OF MH CONNECTORS AND SHALL NOT BE REPRODUCED, COPIED OR USED AS THE BASIS FOR THE MANUFACTURE OR SALE OF APPARATUS WITHOUT WRITTEN PERMISSION.

DRAWN		DATE	
E.P		02-05-23	
APPROVED		DATE	
S.R		02-05-23	
SCALE	SHEET OF	REV:	
NA	1 OF 1	1	
DRAWING No			
MHCDD5W1P4			



THIS SERIES FULLY CONFORMS TO THE EUROPEAN UNION DIRECTIVES 2015/863/EU AND 2011/65/EU FOR RoHS COMPLIANCY.



MH CONNECTORS,  
DIVISION OF EDAC