

THIS IS A C.A.D. GENERATED DRAWING
DO NOT MAKE MANUAL REVISIONS TO MASTER.



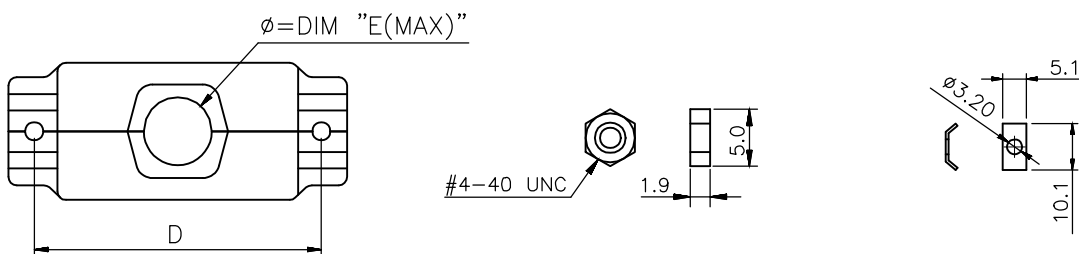
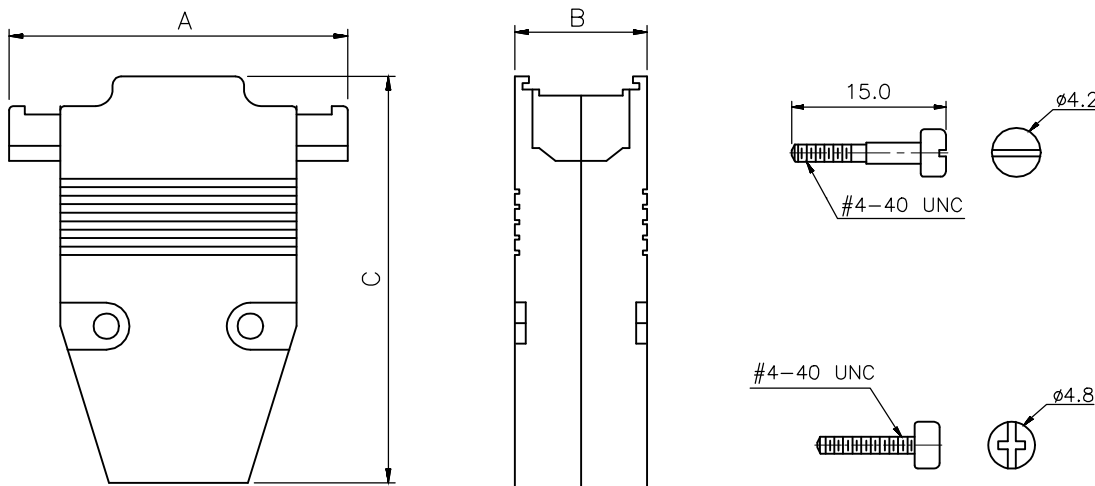
* UNLESS OTHERWISE SPECIFIED TOLERANCES
ON DECIMAL IS: ANGLE ± 5'
UNIT: MM X.X ±0.3
X.XX ±0.2

BACKSHELL KIT INCLUDES:

- (2)BACKSHELL HALVES
- (2)HOUSING SCREWS
- (2)MATING SCREWS
- (2)NUT
- (2)WASHER

PARTS OPTION:
SHORT SCREW

DIMENSIONS(mm/in)					
SIZE	A ±0.3 ±0.012	B ±0.3 ±0.012	C ±0.3 ±0.012	D ±0.2 ±0.008	E(MAX)
9	31.0	15.5	47.2	24.99	9.0
	1.220	0.610	1.858	0.984	0.354
15	40.2	16.0	48.3	33.32	12.0
	1.583	0.630	1.902	1.312	0.472
25	53.0	16.0	48.7	47.04	14.5
	2.087	0.630	1.918	1.852	0.571
37	69.0	16.2	48.7	63.50	16.0
	2.717	0.638	1.918	2.500	0.630
50	67.0	19.7	48.4	61.12	18.0
	2.638	0.776	1.906	2.406	0.709



ORDERING INFORMATION: SHORT JACKSCREWS

SIZE	P/N - KITTED	PRODUCT CODE
9-WAY	2360-0106-01	MHCCOV 9-ME
15-WAY	2360-0106-02	MHCCOV15-ME
25-WAY	2360-0106-03	MHCCOV25-ME
37-WAY	2360-0106-04	MHCCOV37-ME
50-WAY	2360-0106-05	MHCCOV50-ME

MATERIAL: ZINC ALLOY
FINISHED: CHROMATE PLATED
SCREW: STEEL, NICKEL PLATED
NUT: STEEL, NICKEL PLATED
WASHER: STEEL, NICKEL PLATED

THESE DRAWINGS AND SPECIFICATIONS ARE THE PROPERTY OF MH CONNECTORS LTD. AND SHALL NOT BE REPRODUCED, COPIED OR USED AS THE BASIS FOR THE MANUFACTURE OR SALE OF APPARATUS WITHOUT WRITTEN PERMISSION.

DRAWN: HALEY
DATE: 12-18-13

APPROVED: _____
DATE: _____

SCALE: _____ SHEET OF: 1 OF 1 REV: 2.0

DRAWING No: MHCCOVXX-ME



THIS SERIES FULLY CONFORMS TO THE EUROPEAN UNION DIRECTIVES 2002/95/EC AND 2002/96/EC FOR RoHS COMPLIANCY.



MH CONNECTORS LTD.