

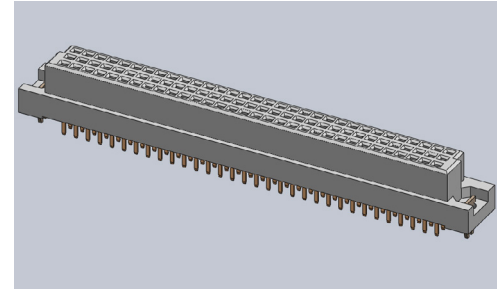
# 496 SERIES



## DIN 41612 CONNECTORS

### Features:

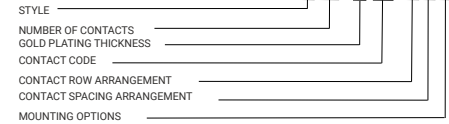
- High density 96 Contacts 3 Row Metal-to-Metal Connector on 2.54mm (.100") Grid
- Contacts: Straight
- Contact Material: Phosphor Bronze with selective gold plating and tin on tails:
- CLASS 3: 2- Gold Flash Plating
- CLASS 2: 3- 15u" of Gold Plating
- CLASS 1: 6- 30u" of Gold Plating
- Contact Tails: 0.7 x 0.3mm (.028" x .012") Rectangular
- Contact Spacing: 2.54 x 2.54mm (.100" x .100") single, double or triple rows; or 2.54 x 5.08mm (.100" x .200") single, double or triple rows.
- Available in: 8, 16, 24, 32, 48, 64, and 96 positions
- Connectors designed to meet DIN 41612-C (Female) specifications



### Specifications:

Insulator Material	30% Glass Filled PBT, UL 94V-0
Contact Material	Phosphor Bronze
Contact Plating	Selective Gold Plating
Current Rating	2 Amperes @ 20°C
Contact Resistance	30 milliohms, maximum
Dielectric Withstanding Voltage	1000 V.A.C RMS
Insulation Resistance	Mated - 1000 Mega (10 <sup>6</sup> ) ohms
Basic Grid	2.54mm (.100")
Operating Temperature	-55°C to +105°C

### SERIES 496-196-221 -311



#### Style:

1- STANDARD STYLE (STRAIGHT)

#### GOLD PLATING THICKNESS:

- 2- GOLD FLASH
- 3- 15 MICROINCHES OF GOLD
- 6- 30 MICROINCHES OF GOLD

#### CONTACT CODE:

- 21- PCB TAIL .157 (4.0) LG.
- 22- PCB TAIL .098 (2.5) LG.
- 40- W.W. TAIL .512 (13.0) LG.
- 41- W.W. TAIL .669 (17.0) LG.
- 70- PRESS-FIT TAIL .182 (4.6) LG.
- 73- PRESS-FIT TAIL .248 (6.3) LG.
- 80- PRESS-FIT, W.W.TAIL .512 (13.0) LG.
- 81- PRESS-FIT, W.W.TAIL .669 (17.0) LG.

#### CONTACT ROW ARRANGEMENT:

- 1- CONTACTS ON ROW "A"
- 3- CONTACTS ON ROW "A," "B" AND "C"
- 6- CONTACTS ON ROW "A" AND "C"

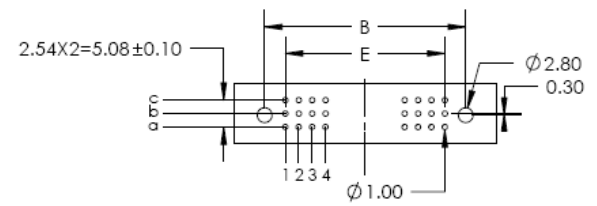
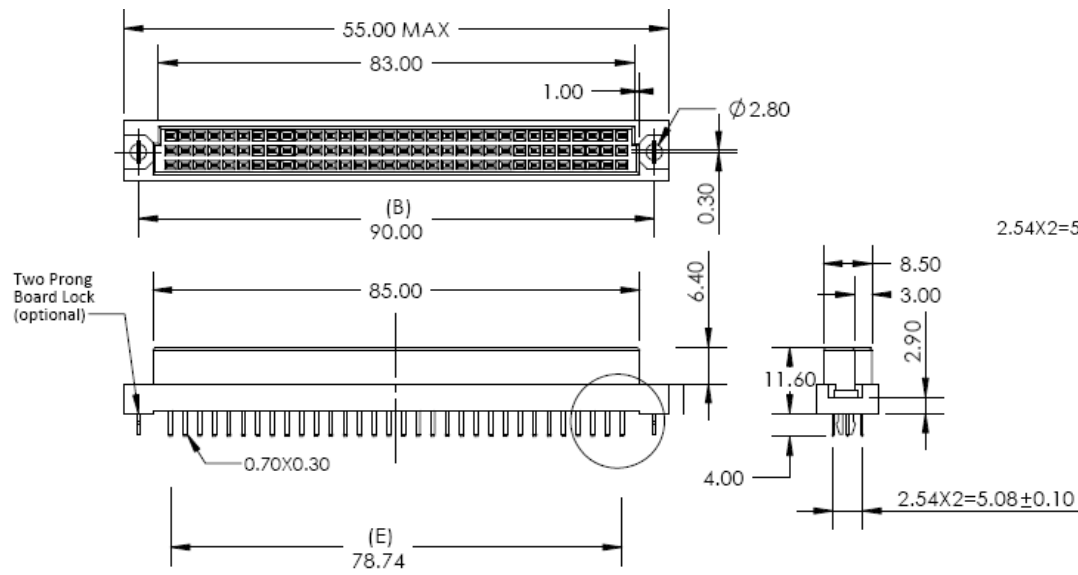
#### CONTACT SPACING ARRANGEMENT:

- 1- ROWS FULLY LOADED
- 2- EVEN NUMBER LOADED

#### MOUNTING OPTIONS:

- 1-  $\phi$ .110" ( $\phi$ 2.80mm), THROUGH HOLE
- 2-  $\phi$ .098" ( $\phi$ 2.50mm) SIDE MTG. HOLE

PITCH	NUMBER OF CONTACTS	CONTACT ROW ARRANGEMENT	CONTACT SPACING ARRANGEMENT
2.54MM	96	a b c	"1- ROWS FULLY LOADED"
	48	a b c	
	30	a b c	
	64	a - c	"1- ROWS FULLY LOADED"
	32	a - c	
	16	a --	"1- ROWS FULLY LOADED"
5.08MM	48	a b c	"2- EVEN NUMBER LOADED"
	24	a b c	
	32	a - c	"2- EVEN NUMBER LOADED"
	16	a - c	
	16	a --	"2- EVEN NUMBER LOADED"
	8	a --	



### P.C. BOARD PATTERN

Dimension E at 2.54 Pitch:  
 1 Row: E = No. of Positions - 1 X 2.54  
 2 Rows: E = (No. of Positions / 2) - 1 X 2.54  
 3 Rows: E = (No. of Positions / 3) - 1 X 2.54