

8-bit Microcontroller

KM101EFA6/A5/A1/A0 Series Datasheet

The information described in this document is the exclusive intellectual property of Nuvoton Technology Corporation Japan and shall not be reproduced without permission from Nuvoton.

*Nuvoton is providing document only for reference purposes of
KM101EFA6/A5/A1/A0 Series based system design.
Nuvoton assumes no responsibility for errors or omissions.
All data and specifications are subject to change without notice.*

For additional information or question, please contact Nuvoton Technology Corporation Japan.

www.nuvoton.co.jp

1.1 Overview

1.1.1 Overview

The KM101E series of 8-bit single-chip microcomputers (the memory expansion version of KM101C series) incorporate multiple types of peripheral functions. This chip series is well suited for automotive power window, camera, TV, CD, printer, telephone, home appliance, PPC, fax machine, music instrument and other applications.

This LSI brings to embedded microcomputer applications flexible, optimized hardware configurations and a simple efficient instruction set. KM101EFA6/A5/A1/A0 has an internal 32 KB of ROM and 1 KB of RAM. Peripheral functions include 5 external interrupts, including NMI, 8 timer counters, 3 (KM101EFA5/A0: 2) types of serial interfaces, A/D converter, watchdog timer and buzzer output (KM101EFA5/A0: no buzzer). The system configuration is suitable for system control microcontroller.

With 2 oscillation systems (internal frequency: 16 MHz, crystal/ceramic frequency: max. 10 MHz) contained on the chip, the system clock can be switched to high-speed frequency input (NORMAL mode) or PLL input (PLL mode). The system clock is generated by dividing the oscillation clock or PLL clock. The best operation clock for the system can be selected by switching its frequency ratio by programming. High speed mode has NORMAL mode which is based on the clock dividing fpll, (fpll is generated by original oscillation and PLL), by 2 (fpll/2), and the double speed mode which is based on the clock not dividing fpll.

A machine cycle (minimum instruction execution time) in NORMAL mode is 200 ns when the original oscillation fosc is 10 MHz (PLL is not used). A machine cycle in the double speed mode, in which the CPU operates on the same clock as the external clock, is 100 ns when fosc is 10 MHz. A machine cycle in the PLL mode is 50 ns (maximum).

1.1.2 Product Summary

This manual describes the following model.

Table:1.1.1 Product Summary

Model	ROM Size	RAM Size	Classification	Capacitive Touch Detection Circuit	Package
KM101EFA6A	32 KB	1 KB	Flash EEPROM version	√	44-Pin QFP 48-Pin TQFP
KM101EFA1A	32 KB	1 KB	Flash EEPROM version	-	
KM101EFA5A	32 KB	1 KB	Flash EEPROM version	√	32-Pin SSOP 32-Pin TQFP
KM101EFA0A	32 KB	1 KB	Flash EEPROM version	-	

1.2 Hardware Functions

■ Feature

- ROM capacity: 32 KB
- RAM capacity: 1 KB

- Package:

KM101EFA6/A1

- 44-Pin QFP (10 mm × 10 mm / 0.8 mm pitch)
- 48-Pin TQFP (7 mm × 7 mm / 0.5 mm pitch)

KM101EFA5/A0

- 32-Pin TQFP (7 mm × 7 mm / 0.8mm pitch)
- 32-Pin SSOP (6.1 mm × 11 mm / 0.65mm pitch, halogen free)

Nuvoton "halogen free" semiconductor products refer to the products made of molding resin and interposer which conform to the following standards.

- Bromine : 900 ppm (Maximum Concentration Value)
- Chlorine : 900 ppm (Maximum Concentration Value)
- Bromine + Chlorine : 1500 ppm (Maximum Concentration Value)

The above-mentioned standards are based on the numerical value described in IEC61249-2-21. Antimony and its compounds are not added intentionally.

- Machine Cycle:

0.05 μ s / fs: 20 MHz (4.0 V to 5.5 V)

- Oscillation circuit: 2 channel oscillation circuit

Internal oscillation (frc): 16 MHz
Crystal/ceramic (fosc): Maximum 10 MHz

-Clock Multiplication circuit (PLL Circuit)

PLL circuit output clock (fppll): fosc multiplied by 2, 3, 4, 5, 6, 8, 10,
1/2 × frc multiplication by 4, 5 enable

-Clock Gear for System Clock

System Clock (fs): fppll divided by 1, 2, 4, 16, 32, 64, 128

-Clock Gear for control clock of peripheral function

Control clock of peripheral function (fppll-div): stop or fppll divided by 1, 2, 4, 8, 16

- Operation Mode:

NORMAL mode
HALT mode
STOP mode
(The operation clock can be switched in each mode.)

- Operating Voltage: 4.0 V to 5.5 V

- Operation ambient temperature: -40 °C to +85 °C

- Interrupt:

KM101EFA6: 27 levels

KM101EFA1: 23 levels

KM101EFA5: 25 levels

KM101EFA0: 21 levels

<Non-maskable interrupt>

- Non-maskable interrupt and Watchdog timer overflow interrupt

<Timer interrupts>

- Timer 0 interrupt

- Timer 1 interrupt

- Timer 2 interrupt

- Timer 6 interrupt

- Time base timer interrupt

- Timer 7 interrupt

- Timer 7 compare register 2 match interrupt

- Timer 9 overflow interrupt

- Timer 9 underflow interrupt

- Timer 9 compare register 2 match interrupt

<Serial Interface interrupts>

- Serial interface 0 interrupt

- Serial interface 0 UART reception interrupt

- Serial interface 1 interrupt (KM101EFA5/A0 don't have this function)

- Serial interface 1 UART reception interrupt (KM101EFA5/A0 don't have this function)

- Serial interface 4 interrupt

- Serial interface 4 stop condition interrupt

<A/D interrupt>

- A/D conversion interrupt

<External interrupts>

- IRQ0: Edge selectable, noise filter connection available

- IRQ1: Edge selectable, noise filter connection available

- IRQ2: Edge selectable, noise filter connection available, both edges interrupt

- IRQ3: Edge selectable, noise filter connection available, both edges interrupt

- IRQ4: Edge selectable, noise filter connection available, both edges interrupt, Key scan interrupt

<Touch Detect interrupts>

- Touch detect interrupt

- Touch detect error interrupt

- Touch round interrupt

- Touch data transmission interrupt

(KM101EFA1/A0 don't have this function)

- Timer Counter: 8 timers

- 8-bit timer for general use × 3 sets

- 16-bit timer for general use × 1 set
- Motor control 16-bit timer × 1 set
- 8-bit free-run timer × 1 set
- Time base timer × 1 set
- Baud rate timer × 1 set

Timer 0 (8-bit timer for general use)

- Square wave output (Timer pulse output)
- Added pulse (2-bit) type PWM output can be output to large current pin TM0IOB
- Event count
- Simple pulse measurement
- Clock source
fpll-div, fpll-div/4, fpll-div/16, fpll-div/32, fpll-div/64, fpll-div/128, fs/2, fs/4, fs/8, External clock, Timer A output

Timer 1 (8-bit timer for general use)

- Square wave output (Timer pulse output) can be output to large current pin TM1IOB
- Event count
- 16-bit cascade connected (with Timer 0)
- Clock source
fpll-div, fpll-div/4, fpll-div/16, fpll-div/32, fpll-div/64, fpll-div/128, fs/2, fs/4, fs/8, External clock, Timer A output

Timer 2 (8-bit timer for general use)

- Square wave output (Timer pulse output)
- Added pulse (2-bit) type PWM output can be output to large current pin TM2IOB
- Event count
- Simple pulse measurement
- 24-bit cascade connected (with Timer 0 and Timer 1)
- Clock source
fpll-div, fpll-div/4, fpll-div/16, fpll-div/32, fpll-div/64, fpll-div/128, fs/2, fs/4, fs/8, External clock, Timer A output

Timer 6 (8-bit free-run timer, Time base timer)

- 8-bit free-run timer
- Clock source
fpll-div, fpll-div/2¹², fpll-div/2¹³, fs
- Time base timer
- Interrupt generation cycle
fpll-div/2⁷, fpll-div/2⁸, fpll-div/2⁹, fpll-div/2¹⁰, fpll-div/2¹³, fpll-div/2¹⁵

Timer 7 (16-bit timer for general use)

- Square wave output (Timer pulse output)
- High precision PWM output (Cycle/Duty continuous changeable) can be output to large current pin TM7IOB
- Event count
- Input capture function (Both edges can be operated)
- Clock source
fpll-div, fpll-div/2, fpll-div/4, fpll-div/16, fs, fs/2, fs/4, fs/16, Timer A divided by 1, 2, 4, 16, External clock divided by 1, 2, 4, 16

Timer 9 (Motor control 16-bit timer)

- Square wave output (Timer pulse output)
- Event count
- Complementary 3-phase PWM output can be output to large current pin TM9OD0 to TM9OD5

(Triangle wave and saw tooth wave are supported, dead time insertion available)

- Clock source
 - fpll-div, fpll-div/2, fpll-div/4, fpll-div/16, fs, fs/2, fs/4, fs/16,
 - Timer A divided by 1, 2, 4, 16, External clock divided by 1, 2, 4, 16

Timer A (Baud rate timer)

- Clock output for peripheral functions
- Clock source
 - fpll-div, fpll-div/2, fpll-div/4, fpll-div/8, fpll-div/16, fpll-div/32, fs/2, fs/4

- Watchdog timer

- Time-out cycle can be selected from $fs/2^{16}$, $fs/2^{18}$, $fs/2^{20}$
- On detection of 2 errors, forcibly hard reset inside LSI.
- Operation start timing is selectable. (At reset release or write to register)

- Buzzer Output/ Reverse Buzzer Output

- Output frequency can be selected from $fpll-div/2^9$, $fpll-div/2^{10}$, $fpll-div/2^{11}$, $fpll-div/2^{12}$, $fpll-div/2^{13}$, $fpll-div/2^{14}$

- A/D Converter: 10-bit × 12 channels (KM101EFA6/A1)
10-bit × 8 channels (KM101EFA5/A0)

- Serial Interface: 3 channels (KM101EFA6/A1)
2 channels (KM101EFA5/A0)

Serial 0: UART (full duplex)/ Clock synchronous

Clock synchronous serial interface

- Transfer clock source fpll-div/2, fpll-div/4, fpll-div/16, fpll-div/64, fs/2, fs/4,
Timer 0 to 2 or Timer A divided by 1, 2, 4, 8, 16, External clock
- MSB/LSB can be selected as the first bit to be transferred,
arbitrary sizes of 1 to 8 bits are selectable.
- Sequence transmission, reception or both are available

Full duplex UART

- Baud rate timer, selected from Timer 0 to 2 or Timer A
- Parity check, overrun error/ framing error detection
- Transfer size 7 to 8 bits can be selected

Serial 1: UART (full duplex)/ Clock synchronous (KM101EFA5/A0 don't have this function)

Clock synchronous serial interface

- Transfer clock source fpll-div/2, fpll-div/4, fpll-div/16, fpll-div/64, fs/2, fs/4,
Timer 0 to 2 or Timer A divided by 1, 2, 4, 8, 16, External clock
- MSB/LSB can be selected as the first bit to be transferred,
arbitrary sizes of 1 to 8 bits are selectable.
- Sequence transmission, reception or both are available.

Full duplex UART

- Baud rate timer, selected from Timer 0 to 2 or Timer A
- Parity check, overrun error/ framing error detection
- Transfer size 7 to 8 bits can be selected

Serial 4: Multi master IIC/ Clock synchronous

Clock synchronous serial interface

- Transfer clock source fpll-div/2, fpll-div/4, fpll-div/16, fpll-div/32, fs/2, fs/4,

- Timer 0 to 2 or Timer A divided by 1, 2, 4, 8, 16, External clock
 - MSB/LSB can be selected as the first bit to be transferred, arbitrary sizes of 1 to 8 bits are selectable.
 - Sequence transmission, reception or both are available.
- Multi master IIC
 - 7-bit slave address is settable.
 - General call communication mode is supported.

- Automatic Reset:
 - Power detection level: 4.3 V (at rising), 4.2 V (at falling)

- LED Driver: 16 pins (Port 0 or Port A)

- Touch Sensor Timer: 1 unit/ 8 channels (KM101EFA1/A0 don't have this function)

- Ports (KM101EFA6/A1)

I/O ports	36 pins
Serial Interface pins	12 pins
Timer I/O	15 pins
Buzzer output pins	2 pins
A/D input pins	12 pins
External Interrupt pins	6 pins
LED (large current) driver	16 pins (Port 0 or Port A)
Touch sensor input pins	8 pins (KM101EFA1 does not have this function)
Touch sensor resistor connect pins	2 pins (KM101EFA1 does not have this function)
High-speed oscillation	2 pins
Special pins	8 pins
Operation mode input pins	3 pins
Reset input pin	1 pin
Analog reference voltage input pin	1 pin
Power pins	3 pins

- Ports (KM101EFA5/A0)

I/O ports	24 pins
Serial Interface pins	9 pins
Timer I/O	9 pins
A/D input pins	8 pins
External Interrupt pins	5 pins
LED (large current) driver	16 pins (Port 0 or Port A)
Touch sensor input pins	8 pins (KM101EFA0 does not have this function)
Touch sensor resistor connect pins	2 pins (KM101EFA0 does not have this function)
High-speed oscillation	2 pins
Special pins	8 pins
Operation mode input pins	3 pins
Reset input pin	1 pin
Analog reference voltage input pin	1 pin

1.3 Pin Description

1.3.1 Pin configuration

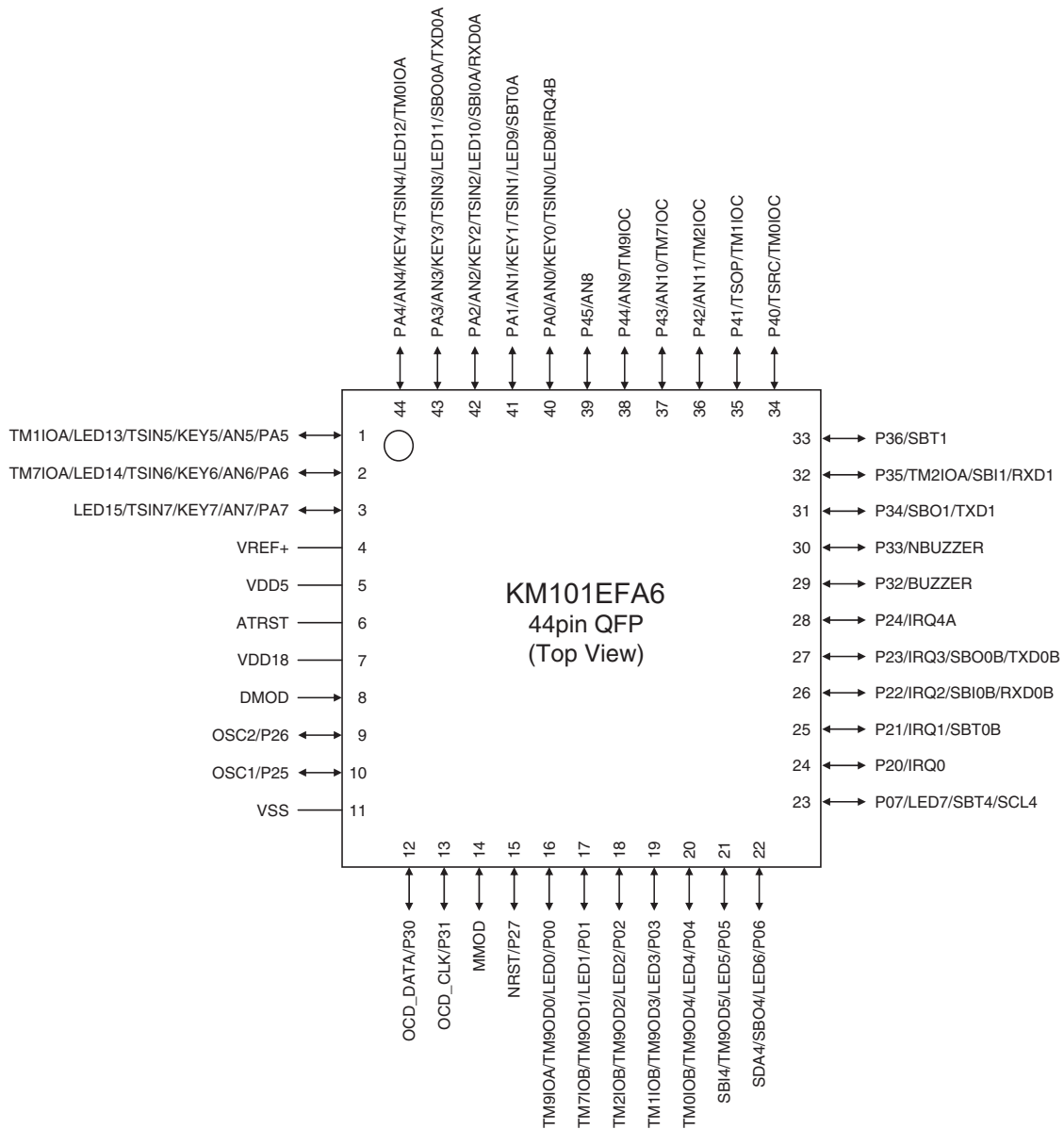


Figure:1.3.1 Pin Configuration (KM101EFA6 44-pin QFP)

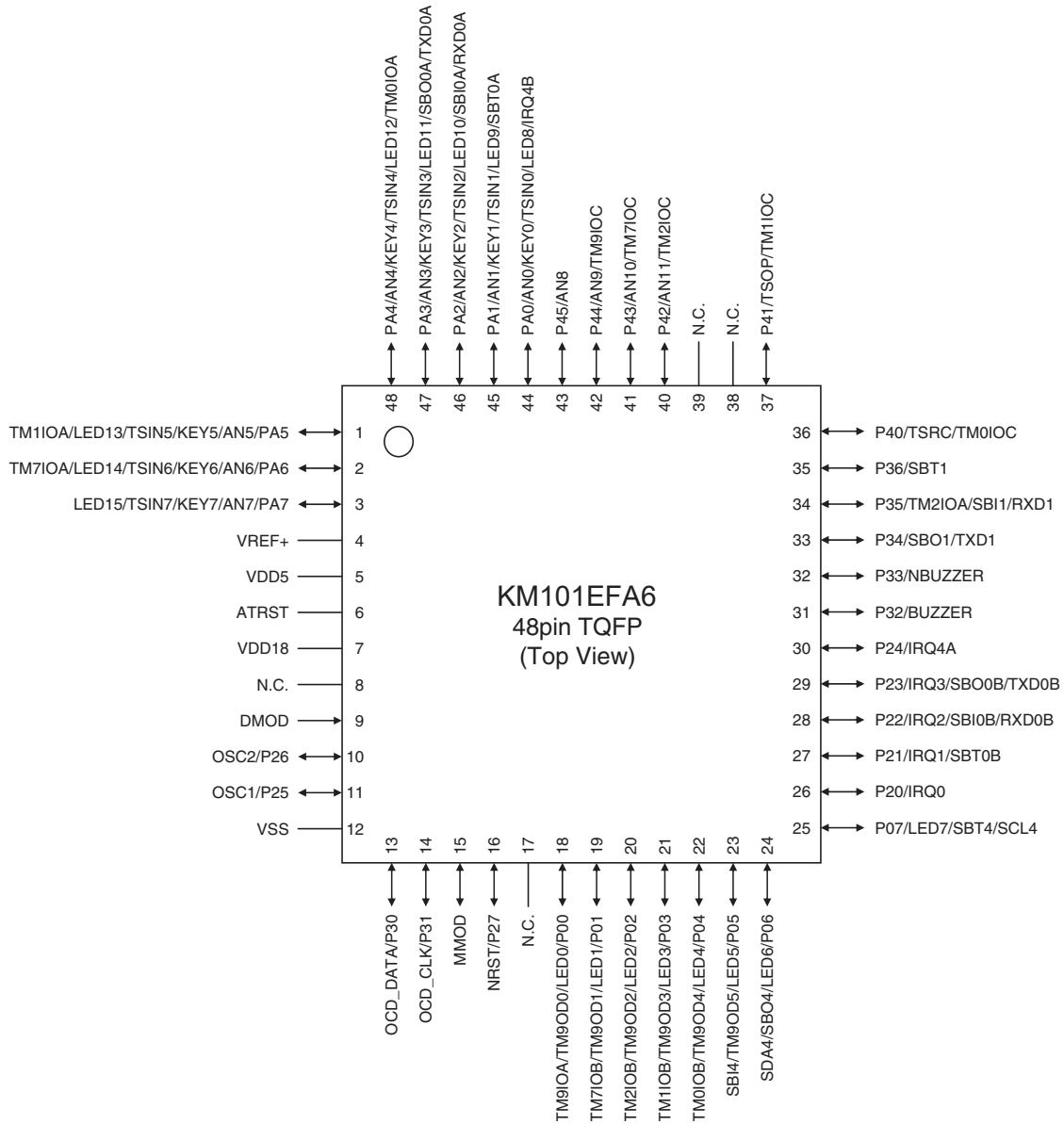


Figure:1.3.2 Pin Configuration (KM101EFA6 48-pin TQFP)

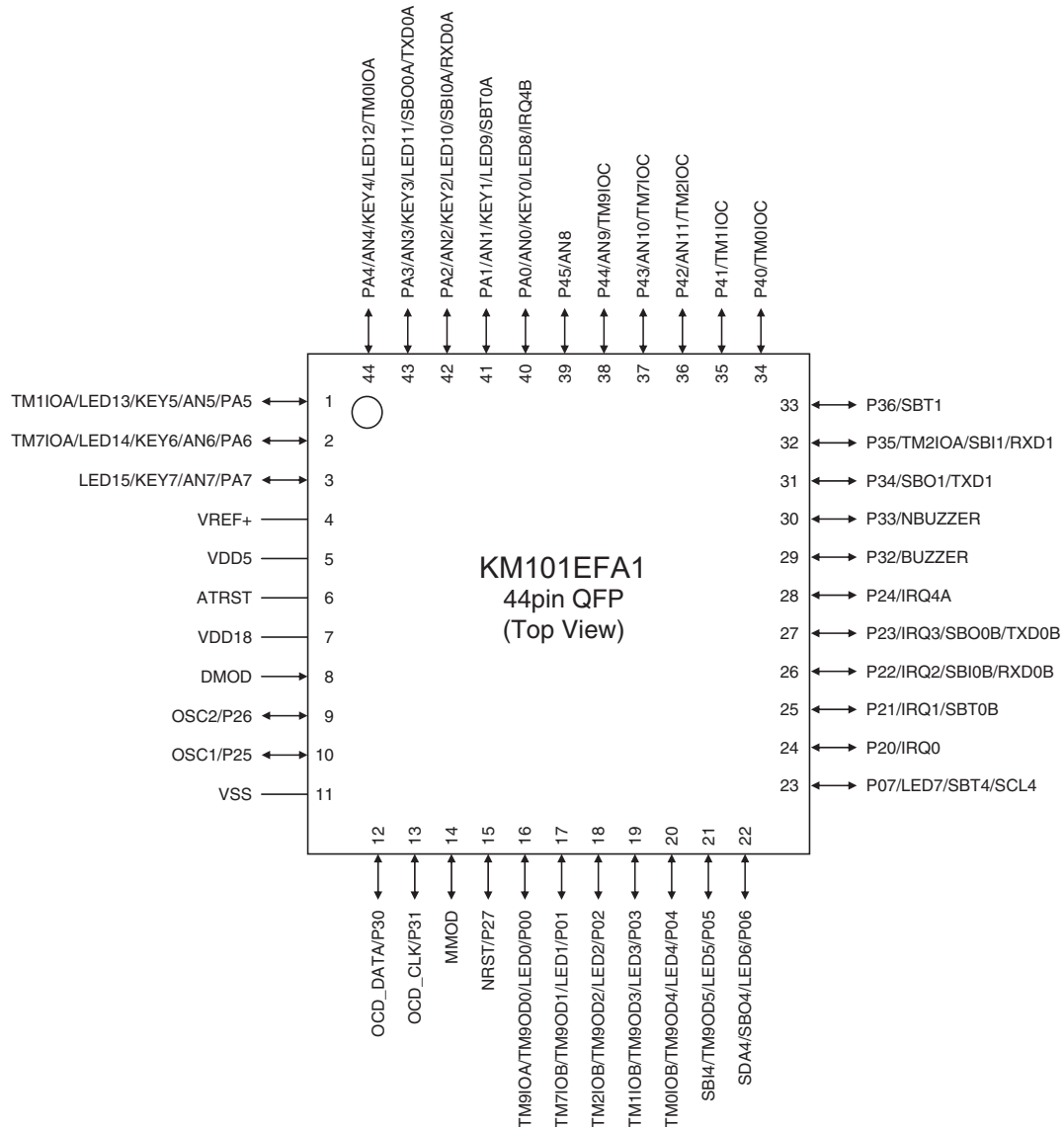


Figure:1.3.3 Pin Configuration (KM101EFA1 44-pin QFP)

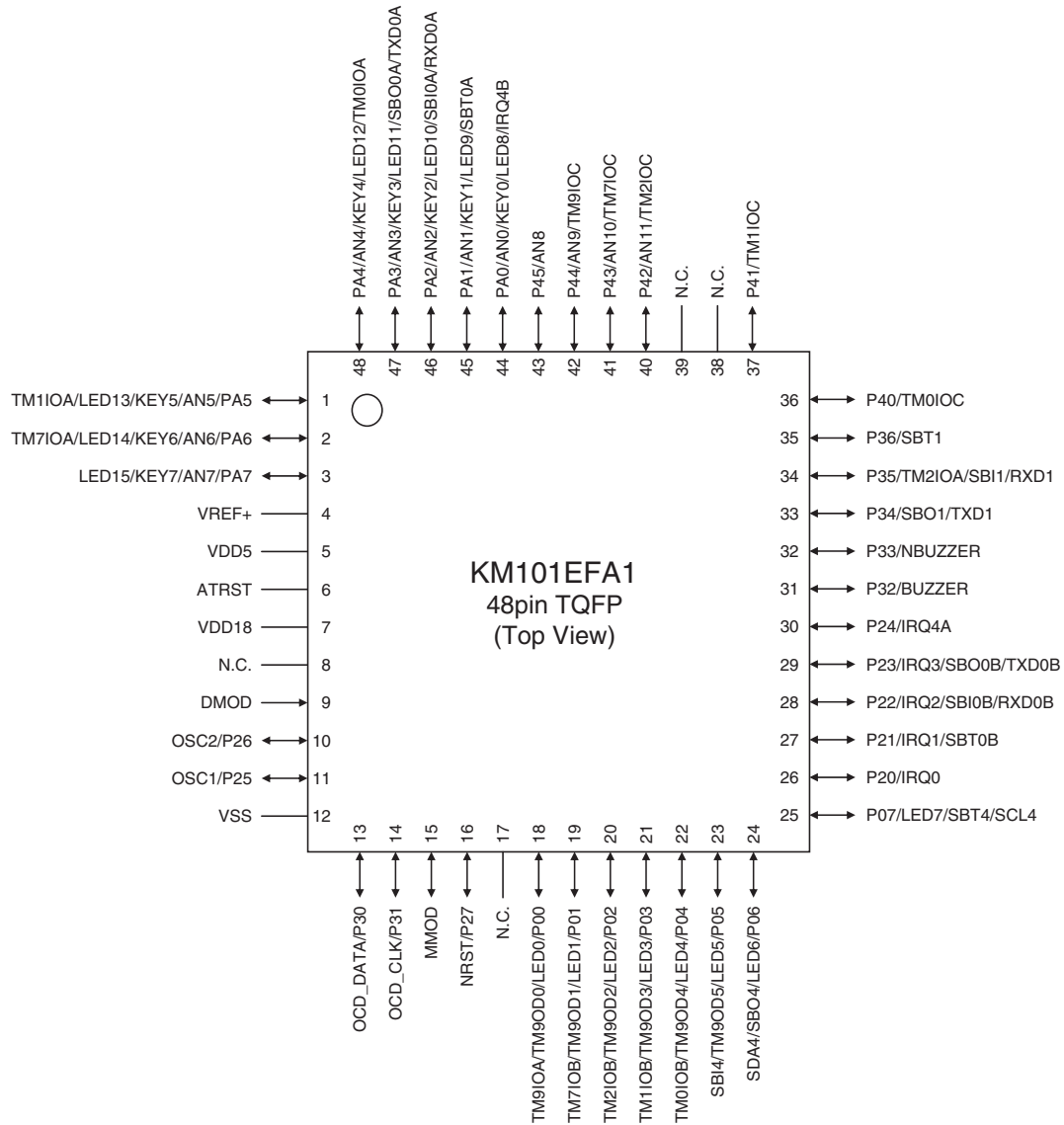


Figure:1.3.4 Pin Configuration (KM101EFA1 48-pin TQFP)

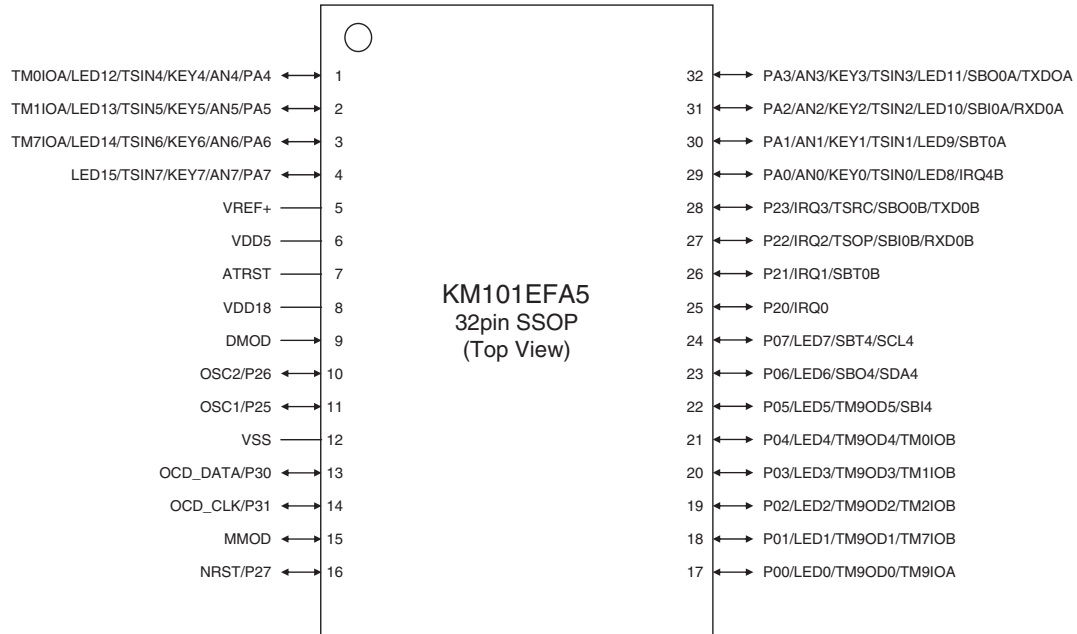


Figure:1.3.5 Pin Configuration (KM101EFA5 32-pin SSOP)

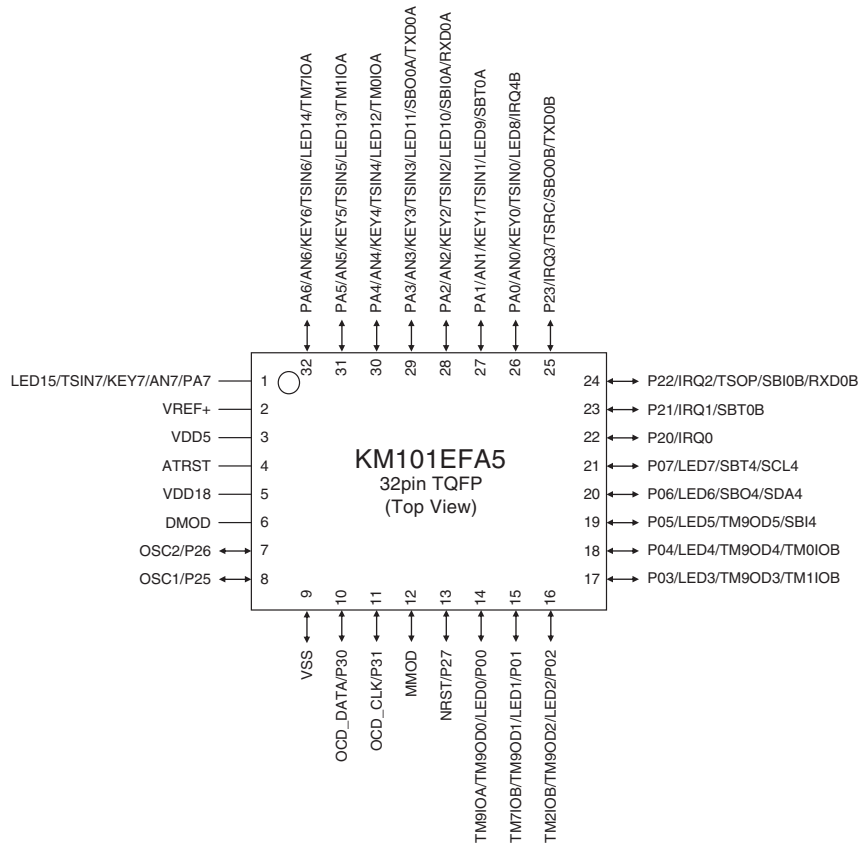


Figure:1.3.6 Pin Configuration (KM101EFA5 32-pin TQFP)

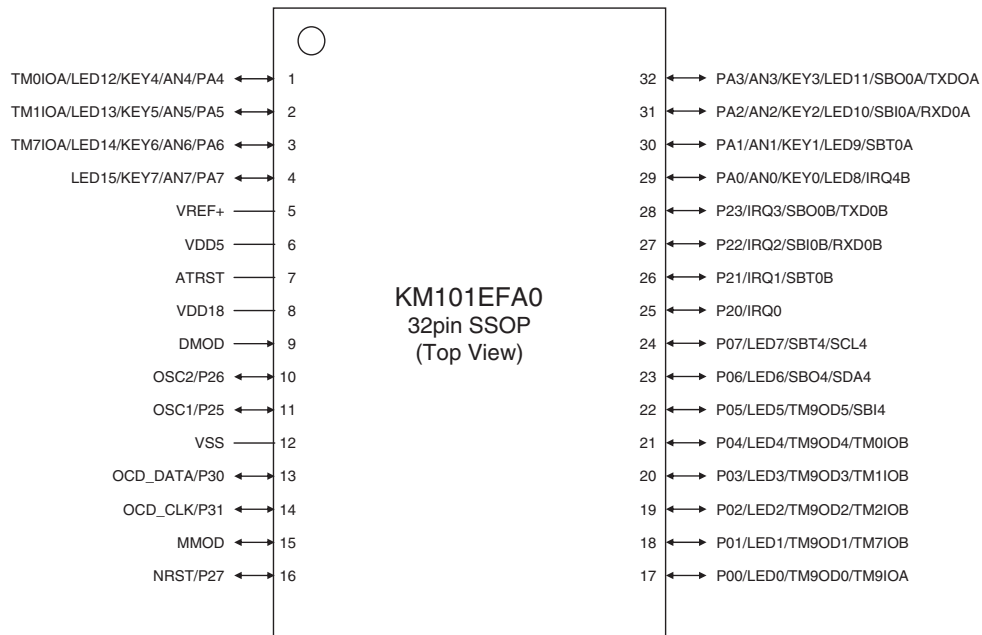


Figure:1.3.7 Pin Configuration (KM101EFA0 32-pin SSOP)

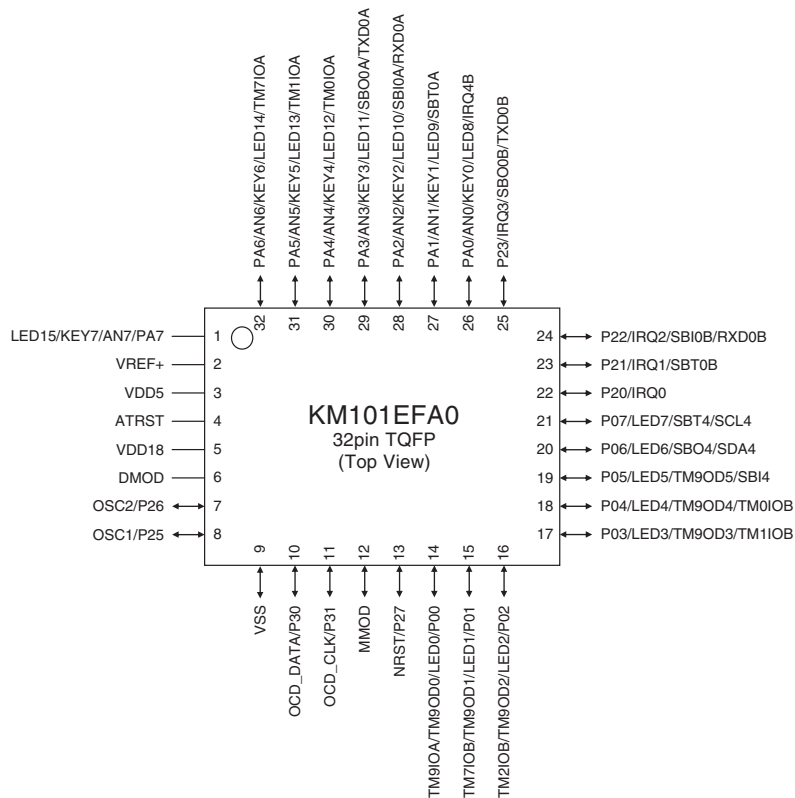


Figure:1.3.8 Pin Configuration (KM101EFA0 32-pin TQFP)

1.3.2 Pin Specification

Table remarks √: With function -: Without function

Pins	KM101 EFA6	KM101 EFA1	KM101 EFA5	KM101 EFA0	Special Functions	I/O	Direction Control	Pin Control	Functions Description
P00	√	√	√	√	LED0 TM9IOA	in/out	P0DIR0	P0PLU0	LED0:LED driving pin 0 TM9IOA:Timer 9 input/output
P01	√	√	√	√	TM9OD0	in/out	P0DIR1	P0PLU1	TM9OD0:Timer 9 output
	√	√	√	√	LED1 TM7IOB				LED1:LED driving pin 1 TM7IOB:Timer 7 input/output
P02	√	√	√	√	TM9OD1	in/out	P0DIR2	P0PLU2	TM9OD1:Timer 9 output
	√	√	√	√	LED2 TM2IOB				LED2:LED driving pin 2 TM2IOB:Timer 2 input/output
P03	√	√	√	√	TM9OD2	in/out	P0DIR3	P0PLU3	TM9OD2:Timer 9 output
	√	√	√	√	LED3 TM1IOB				LED3:LED driving pin 3 TM1IOB:Timer 1 input/output
P04	√	√	√	√	TM9OD3	in/out	P0DIR4	P0PLU4	TM9OD3:Timer 9 output
	√	√	√	√	LED4 TM0IOB				LED4:LED driving pin 4 TM0IOB:Timer 0 input/output
P05	√	√	√	√	TM9OD4	in/out	P0DIR5	P0PLU5	TM9OD4:Timer 9 output
	√	√	√	√	LED5 SBI4				LED5:LED driving pin 5 SBI4:Serial 4 data input
P06	√	√	√	√	TM9OD5	in/out	P0DIR6	P0PLU6	TM9OD5:Timer 9 output
	√	√	√	√	LED6 SBO4				LED6:LED driving pin 6 SBO4:Serial 4 data input/output
P07	√	√	√	√	SDA4	in/out	P0DIR7	P0PLU7	SDA4:Multi-master IIC4 data input/output
	√	√	√	√	LED7 SBT4				LED7:LED driving pin 7 SBT4:Serial 4 clock input/output
P20	√	√	√	√	SCL4	in/out	P0DIR7	P0PLU7	SCL4:Multi-master IIC4 clock input/output
	√	√	√	√	IRQ0				IRQ0:External interrupt 0
P21	√	√	√	√	IRQ1 SBT0B	in/out	P2DIR1	P2PLU1	IRQ1:External interrupt 1 SBT0B:Serial 0 clock input/output
P22	√	√	√	√	IRQ2 SBI0B	in/out	P2DIR2	P2PLU2	IRQ2:External interrupt 2 SBI0B:Serial 0 data input
	√	√	√	√	RXD0B				RXD0B:UART0 data input
P23	-	-	√	-	TSOP	in/out	P2DIR3	P2PLU3	TSOP:Touch sensor output
	√	√	√	√	IRQ3 SBO0B				IRQ3:External interrupt 3 SBO0B:Serial 0 data input/output
P24	√	√	-	-	TXD0B	in/out	P2DIR3	P2PLU3	TXD0B:UART0 data input/output
	√	√	√	√	TXD0B				TXD0B:UART0 data input/output
P25	-	-	√	-	TSRC	in/out	P2DIR4	P2PLU4	TSRC:Touch sensor RC connect
	√	√	-	-	IRQ4A				IRQ4A:External interrupt 4
P26	√	√	√	√	OSC1	in/out	P2DIR5	P2PLU5	OSC1:Seramic/crystal high-speed clock input
P27	√	√	√	√	OSC2	in/out	P2DIR6	P2PLU6	OSC2:Seramic/crystal high-speed clock output
P30	√	√	√	√	NRST	in/out	-	-	NRST:Reset
P31	√	√	√	√	OCD_DATA	in/out	P3DIR0	P3PLU0	OCD_DATA:On-board programmer data pin
P32	√	√	-	-	OCD_CLK	in/out	P3DIR1	P3PLU1	OCD_CLK:On-board programmer clock supply pin
P33	√	√	-	-	BUZZER	in/out	P3DIR2	P3PLU2	BUZZER: Buzzer output
P34	√	√	-	-	NBUZZER	in/out	P3DIR3	P3PLU3	NBUZZER: Buzzer reverse output
P35	√	√	-	-	SBO1 TXD1	in/out	P3DIR4	P3PLU4	SBO1:Serial 1 data input/output TXD1:UART1 data input/output
P36	√	√	-	-	TM2IOA SBI1	in/out	P3DIR5	P3PLU5	TM2IOA:Timer 2 input/output SBI1:Serial 1 data input
	√	√	-	-	RXD1				RXD1:UART1 data input
P40	√	√	-	-	SBT1	in/out	P3DIR6	P3PLU6	SBT1:Serial 1 clock input/output
	√	-	-	-	TM0IOC				TM0IOC:Timer 0 input/output
P41	√	-	-	-	TSRC	in/out	P4DIR1	P4PLUD1	TSRC:Touch sensor RC connect
	√	√	-	-	TM1IOC				TM1IOC:Timer 1 input/output
P42	√	-	-	-	TSOP	in/out	P4DIR2	P4PLUD2	TSOP:Touch sensor output
P43	√	√	-	-	AN11 TM2IOC	in/out	P4DIR3	P4PLUD3	AN11:Analog 11 input TM2IOC:Timer 2 input/output
P44	√	√	-	-	AN10 TM7IOC	in/out	P4DIR4	P4PLUD4	AN10:Analog 10 input TM7IOC:Timer 7 input/output
P45	√	√	-	-	AN9 TM9IOC	in/out	P4DIR5	P4PLUD5	AN9:Analog 9 input TM9IOC:Timer 9 input/output
PA0	√	√	√	√	AN8	in/out	PADIR0	PAPLU0	AN8:Analog 8 input
	√	√	√	√	AN0 KEY0				AN0:Analog 0 input KEY0:Key interrupt 0
PA1	√	-	√	-	IRQ4B LED8	in/out	PADIR1	PAPLU1	IRQ4B:External interrupt 4 LED8:LED drive 8
	√	√	√	√	TSIN0				TSIN0:Touch sensor input 0
PA1	√	√	√	√	AN1 KEY1	in/out	PADIR1	PAPLU1	AN1:Analog 1 input KEY1:Key interrupt 1
	√	√	√	√	SBT0A LED9				SBT0A:Serial 0 clock input/output LED9:LED drive 9
	√	-	√	-	TSIN1				TSIN1:Touch sensor input 1

Table remarks √: With function -: Without function

Pins	KM101 EFA6	KM101 EFA1	KM101 EFA5	KM101 EFA0	Special Functions	I/O	Direction Control	Pin Control	Functions Description	
PA2	√	√	√	√	AN2 KEY2	in/out	PADIR2	PAPLU2	AN2:Analog 2 input	KEY2:Key interrupt 2
	√	√	√	√	SBI0A RXD0A				SBI0A:Serial 0 data input	RXD0A:UART0 data input
	√	√	√	√	LED10				LED10:LED drive 10	
	√	-	√	-	TSIN2				TSIN2:Touch sensor input 2	
PA3	√	√	√	√	AN3 KEY3	in/out	PADIR3	PAPLU3	AN3:Analog 3 input	KEY3:Key interrupt 3
	√	√	√	√	SBO0A TXD0A				SBO0A:Serial 0 data input/output	TXD0A:UART0 data input/output
	√	√	√	√	LED11				LED11:LED drive 11	
	√	-	√	-	TSIN3				TSIN3:Touch sensor input 3	
PA4	√	√	√	√	AN4 KEY4	in/out	PADIR4	PAPLU4	AN4:Analog 4 input	KEY4:Key interrupt 4
	√	√	√	√	TM0IOA LED12				TM0IOA:Timer 0 input/output	LED12:LED drive 12
	√	-	√	-	TSIN4				TSIN4:Touch sensor input 4	
	√	√	√	√	AN5 KEY5				AN5:Analog 5 input	KEY5:Key interrupt 5
PA5	√	√	√	√	TM1IOA LED13	in/out	PADIR5	PAPLU5	TM1IOA:Timer 1 input/output	LED13:LED drive 13
	√	-	√	-	TSIN5				TSIN5:Touch sensor input 5	
	√	√	√	√	AN6 KEY6				AN6:Analog 6 input	KEY6:Key interrupt 6
	√	√	√	√	TM7IOA LED14				TM7IOA:Timer 7 input/output	LED14:LED drive 14
PA6	√	√	√	√	AN6 KEY6	in/out	PADIR6	PAPLU6	AN6:Analog 6 input	KEY6:Key interrupt 6
	√	√	√	√	TM7IOA LED14				TM7IOA:Timer 7 input/output	LED14:LED drive 14
	√	-	√	-	TSIN6				TSIN6:Touch sensor input 6	
	√	√	√	√	AN7 KEY7				AN7:Analog 7 input	KEY7:Key interrupt 7
PA7	√	√	√	√	AN7 KEY7	in/out	PADIR7	PAPLU7	AN7:Analog 7 input	KEY7:Key interrupt 7
	√	√	√	√	LED15				LED15:LED drive 15	
	√	-	√	-	TSIN7				TSIN7:Touch sensor input 7	

1.3.3 Pin Functions

Table remarks -: Without function

Pins	KM101EF A6/A1		KM101EF A5/A0		I/O	Function	Description
	48pin TQFP	44pin QFP	32pin SSOP	32pin TQFP			
VDD5	5	5	6	3	-	Power connect pins	Apply 4.0 V to 5.5 V to VDD5 and 0 V to VSS connect 0.1 μ F + 1 μ F or larger bypass capacitor for internal power stabilization.
VSS	12	11	12	9	-		
VDD18	7	7	8	5	-	Internal power output pin	This pin is output 1.8 V from internal power circuit. Don't use the power supply to external device. For internal power circuit output stability, connect at least 0.1 μ F + 1 μ F one bypass capacitor between VDD18 and VSS.
OSC1	11	10	11	8	Input	High speed operation clock input pin	Connect these oscillation pins to ceramic or crystal oscillators for high-frequency clock operation. If the clock is an external input, connect it to OSC1 and leave OSC2 open. The chip will not operate with an external clock when using STOP mode.
OSC2	10	9	10	7	Output	High speed operation clock output pin	
NRST	16	15	16	13	I/O	Reset pins [Active low]	This pin resets the chip when power is turned on, is allocated as P27 and contains an internal pull-up resistor (Typ. 50 k Ω). Setting this pin low initialize the internal state of the device. Thereafter, setting the input to high releases the reset. The hardware waits for the system clock to stabilize, then processes the reset interrupt. If a capacitor is to be inserted between NRST and VSS, it is recommended that a discharge diode be placed between NRST and VDD5.
ATRST	6	6	7	4	Input	Auto reset setting pin	Input "High" to enable auto reset function and "Low" to disable this function
P00	18	16	17	14	I/O	I/O port 0	8-bit CMOS tri-state I/O port. Each bit can be set individually as either an input or output by P0DIR register. A pull-up resistor for each bit can be selected individually by P0PLU register. Direct LED drive is available at output. At reset, the input mode is selected and pull-up resistor is disabled (high impedance).
P01	19	17	18	15			
P02	20	18	19	16			
P03	21	19	20	17			
P04	22	20	21	18			
P05	23	21	22	19			
P06	24	22	23	20			
P07	25	23	24	21			
P20	26	24	25	22	I/O	I/O port 2	7-bit CMOS tri-state I/O port. Each bit can be set individually as either an input or output by P2DIR register. A pull-up resistor for each bit can be selected individually by P2PLU register. At reset, the input mode is selected and pull-up resistor is disabled (high impedance)
P21	27	25	26	23			
P22	28	26	27	24			
P23	29	27	28	25			
P24	30	28	-	-			
P25	11	10	11	8			
P26	10	9	10	7			
P27	16	15	16	13	Input	Input port 2	P27 has an N-channel open-drain configuration.
P30	13	12	13	10	I/O	I/O port 3	7-bit CMOS tri-state I/O port. Each bit can be set individually as either an input or output by P3DIR register. A pull-up resistor for each bit can be selected individually by P3PLU register. At reset, the input mode is selected and pull-up resistor is disabled (high impedance).
P31	14	13	14	11			
P32	31	29	-	-			
P33	32	30	-	-			
P34	33	31	-	-			
P35	34	32	-	-			
P36	35	33	-	-			
P40	36	34	-	-	I/O	I/O port 4	6-bit CMOS tri-state I/O port. Each bit can be set individually as either an input or output by P4DIR register. A pull-up /pull-down resistor for each bit can be selected individually by P4PLUD register. A pull-up/down resistor connection for each port can be selected individually in SELUD register. A pull-up/pull down can not be mixed. At reset, the input mode is selected and pull-up resistor is disabled (high impedance).
P41	37	35	-	-			
P42	40	36	-	-			
P43	41	37	-	-			
P44	42	38	-	-			
P45	43	39	-	-			

Table remarks -: Without function

Pins	KM101EF A6/A1		KM101EF A5/A0		I/O	Function	Description
	48pin TQFP	44pin QFP	32pin SSOP	32pin TQFP			
PA0	44	40	29	26	I/O	I/O port 0	8-bit CMOS tri-state I/O port. Each bit can be set individually as either an input or output by P0DIR register. A pull-up resistor for each bit can be selected individually by P0PLU register. Direct LED drive is available at output. At reset, the input mode is selected and pull-up resistor is disabled (high impedance).
PA1	45	41	30	27			
PA2	46	42	31	28			
PA3	47	43	32	29			
PA4	48	44	1	30			
PA5	1	1	2	31			
PA6	2	2	3	32			
PA7	3	3	4	1			
SBO0A	47	43	32	29	Output	Serial interface transmission data output pins	Transmission data output pins for serial interface 0,1,4. The output configuration, either COMS push-pull or Nch open-drain can be selected in P0ODC, P2ODC, P3ODC and PAODC registers. Pull-up resistor can be selected in P0PLU, P2PLU, P3PLU and PAPLU registers. Select output mode in P0DIR, P2DIR, P3DIR and PADIR registers and set serial data output mode in serial mode register 1 (SC0MD1, SC1MD1, SC4MD1). These can be used as normal I/O pins when serial interface is not used.
SBO0B	29	27	28	25			
SBO1	33	31	-	-			
SBO4	24	22	23	20			
SBI0A	46	42	31	28	Input	Serial interface reception data input pins	Reception data input pins for serial interface 0,1,4. Pull-up resistor can be selected in P0PLU, P2PLU, P3PLU and PAPLU registers. Select the output mode in P0DIR, P2DIR, P3DIR and PADIR registers and select serial data input mode in serial mode register 1 (SC0MD1, SC1MD1, SC4MD1). These can be used as normal I/O pins when serial interface is not used.
SBI0B	28	26	27	24			
SBI1	34	32	-	-			
SBI4	23	21	22	19			
SBT0A	45	41	30	27	I/O	Serial interface Clock I/O pins	Clock I/O pins for serial interface 0,1,4. The output configuration, either COMS push-pull or Nch open-drain can be selected in P0ODC, P2ODC, P3ODC and PAODC registers. Pull-up resistor can be selected in P0PLU, P2PLU, P3PLU and PAPLU registers. Select clock I/O in P0DIR, P2DIR, P3DIR and PADIR registers and serial mode register 1 (SC0MD1, SC1MD1, SC4MD1) with the communication mode. These can be used as normal I/O pins when serial interface is not used.
SBT0B	27	25	26	23			
SBT1	35	33	-	-			
SBT4	25	23	24	21			
TXD0A	47	43	32	29	Output	UART transmission data output pins	In serial interface 0,1 in UART mode, this pin is configured as the transmission data output pin. The output configuration, either COMS push-pull or Nch open-drain can be selected in P2ODC, P3ODC and PAODC registers. Pull-up resistor can be selected by P2PLU, P3PLU and PAPLU registers. Select the output mode in P2DIR, P3DIR and PADIR registers and select serial data output mode in serial mode register 1 (SC0MD1, SC1MD1). These can be used as normal I/O pins when serial interface is not used.
TXD0B	29	27	28	25			
TXD1	33	31	-	-			
RXD0A	46	42	31	28	Input	UART reception data input pins	In serial interface 0,1 in UART mode, this pin is configured as the reception data input pin. Pull-up resistor can be selected in P2PLU, P3PLU and PAPLU registers. Select the input mode in P2DIR, P3DIR and PADIR registers and select serial input in serial mode register 1 (SC0MD1, SC1MD1). These can be used as normal I/O pins when serial interface is not used.
RXD0	28	26	27	24			
RXD1	34	32	-	-			
SDA4	24	22	23	20	I/O	IIC data I/O pins	In serial interface 4 in IIC mode, this pin is configured as the data I/O pin. For the output configuration, select Nch open-drain in P0ODC register and set pull-up resistor in P0PLU register. Select the output mode in P0DIR register and select serial data I/O mode by serial mode register 1 (SC4MD1). These can be used as normal I/O pin when serial interface is not used.
SCL4	25	23	24	21	I/O	IIC clock I/O pins	In serial interface 4 in IIC mode, this pin is configured as the clock I/O pin. For the output configuration, select Nch open-drain in P0ODC register and set pull-up resistor by P0PLU register. Select the output mode at P0DIR register and select serial clock I/O mode in serial mode register 1 (SC4MD1). These can be used as normal I/O pin when serial interface is not used.

Table remarks -: Without function

Pins	KM101EF A6/A1		KM101EF A5/A0		I/O	Function	Description
	48pin TQFP	44pin QFP	32pin SSOP	32pin TQFP			
TM0IOA	48	44	1	30	I/O	Timer I/O pins	Event counter clock input pin, timer output and PWM signal output pin for 8-bit timer 0 to 2. To use this pin as event clock input, configure it as input by P0DIR register, P3DIR register, P4DIR register and PADIR register. In the input mode, pull-up resistor can be selected in P0PLU, P3PLU, P4PLU and P4PLU registers. For timer output, PWM signal output, select the special function pin in P0OMD, P3OMD, P4OMD and PAOMD registers, and set to the output mode in P0DIR, P3DIR, P4DIR and PADIR registers. These can be used as normal I/O pins when Timer I/O pin is not used.
TM0IOB	22	20	21	18			
TM0IOC	36	34	-	-			
TM1IOA	1	1	2	31			
TM1IOB	21	19	20	17			
TM1IOC	37	35	-	-			
TM2IOA	34	32	-	-			
TM2IOB	20	18	19	16			
TM2IOC	40	36	-	-			
BUZZER	31	29	-	-			
NBUZZER	32	30	-	-			
TM7IOA	2	2	2	32	I/O	Timer I/O pins	Event counter clock input pin, timer output and PWM signal output pin for 16-bit timer7 and 9. To use this pin as event clock input, configure it as input with P0DIR, P4DIR and PADIR registers. In the input mode, pull-up resistor can be selected by P0PLU, P4PLU and P4PLU registers. For timer output, PWM signal output, select the special function pin in P0OMD, P4OMD and PAOMD registers, and set to the output mode in P0DIR, P4DIR and PADIR registers. These can be used as normal I/O pins when not used as timer I/O pins.
TM7IOB	19	17	18	15			
TM7IOC	41	37	-	-			
TM9IOA	18	16	17	14			
TM9IOC	42	38	-	-			
TM9OD0	18	16	17	14	Output	Timer PWM output	PWM signal output pin for 16-bit timer 9. Select the special function pin in P0OMD register, and set to the output mode in P0DIR register. These can be used as normal I/O pins when not used as timer I/O pins.
TM9OD1	19	17	18	15			
TM9OD2	20	18	19	16			
TM9OD3	21	19	20	17			
TM9OD4	22	20	21	18			
TM9OD5	23	21	22	19			
VREF+	4	4	5	2	-	A/D reference voltage input pin	Reference power supply pin for A/D converter. Normally, the values of $V_{REF+} = V_{DD5}$ is used.
AN0	44	40	29	26	Input	Analog input pins	Analog input pins for 12-channel, 10-bit A/D converter. Select the analog input by PAIMD register. When not used for analog input, these pins can be used as normal input pins.
AN1	45	41	30	27			
AN2	46	42	31	28			
AN3	47	43	32	29			
AN4	48	44	1	30			
AN5	1	1	2	31			
AN6	2	2	3	32			
AN7	3	3	4	1			
AN8	43	39	-	-			
AN9	42	38	-	-			
AN10	41	37	-	-			
AN11	40	36	-	-			
IRQ0	26	24	25	22	Input	External interrupt	External interrupt input pins. Select the external interrupt input enable by IRQCNT register. The valid edge for IRQ0 to 4 can be selected with IRQnICR register. IRQ2 to 4 can be set at both edges at pin voltage level. When not used for interrupts, these can be used as normal input pins.
IRQ1	27	25	26	23			
IRQ2	28	26	27	24			
IRQ3	29	27	28	25			
IRQ4A	30	28	-	-			
IRQ4B	44	40	29	26			

Table remarks -: Without function

Pins	KM101EF A6/A1		KM101EF A5/A0		I/O	Function	Description
	48pin TQFP	44pin QFP	32pin SSOP	32pin TQFP			
KEY0	44	40	29	26	Input	Key interrupt input pins	Input pins for KEY interrupt based on OR condition result of pin inputs. These can be set to key input pins by 1-bit with KEY interrupt control register (KEYT3_1IMD). When not used for KEY input, these pins can be used as normal I/O pins.
KEY1	45	41	30	27			
KEY2	46	42	31	28			
KEY3	47	43	32	29			
KEY4	48	44	1	30			
KEY5	1	1	2	31			
KEY6	2	2	3	32			
KEY7	3	3	4	1			
LED0	18	16	17	14	Output	LED drive pins	Large current output pins. Select the large current output by P0LED and PALED registers. When not used for LED output, these pins can be used as normal I/O pins.
LED1	19	17	18	15			
LED2	20	18	19	16			
LED3	21	19	20	17			
LED4	22	20	21	18			
LED5	23	21	22	19			
LED6	24	22	23	20			
LED7	25	23	24	21			
LED8	44	40	29	26			
LED9	45	41	30	27			
LED10	46	42	31	28			
LED11	47	43	32	29			
LED12	48	44	1	30			
LED13	1	1	2	31			
LED14	2	2	3	32			
LED15	3	3	4	1			
DMOD	9	8	9	6	Input	Mode switch input pins	Set always to V_{DD5} .
MMOD	15	14	15	12	Input	ROM area switch input pins at start	Set always to V_{SS} .
TSIN0	44	40	29	26	Input	Touch sensor input pins These pins are not equipped in KM101EFA1 and KM101EFA0.	Input pins for Touch Sensor Timer of 8 channels. Set "Used" to corresponding channel by TSTCHSEL register. This setup is available regardless of the setting of port control registers. These can be used as normal I/O pins when Touch Sensor Timer is not used.
TSIN1	45	41	30	27			
TSIN2	46	42	31	28			
TSIN3	47	43	32	29			
TSIN4	48	44	1	30			
TSIN5	1	1	2	31			
TSIN6	2	2	3	32			
TSIN7	3	3	4	1			
TSRC	36	34	28	25	Input	Touch sensor resistor connect pins. These pins are not equipped in KM101EFA1 and KM101EFA0.	These are used in the following cases. 1. External resistor connection for Touch Sensor Timer Set both TSMD and RSMD of TSTMD register to "1". 2. The capacitor/resistor connection for Touch Sensor using A/D converter Set TSADCNT register. This setup is available regardless of the setting of port control registers. These can be used as normal I/O pins when Touch Sensor Timer is not used.
TSOP	37	35	27	24	Output		



For the MMOD setup in rewriting the flash memory, refer to [Chapter 16 16.4 User Mode Microcontroller Rewriting], [Chapter 16 16.5 BOOT Mode Microcontroller Rewriting], [Chapter 16 16.6 Appendix].

1.4 Block Diagram

1.4.1 Block Diagram

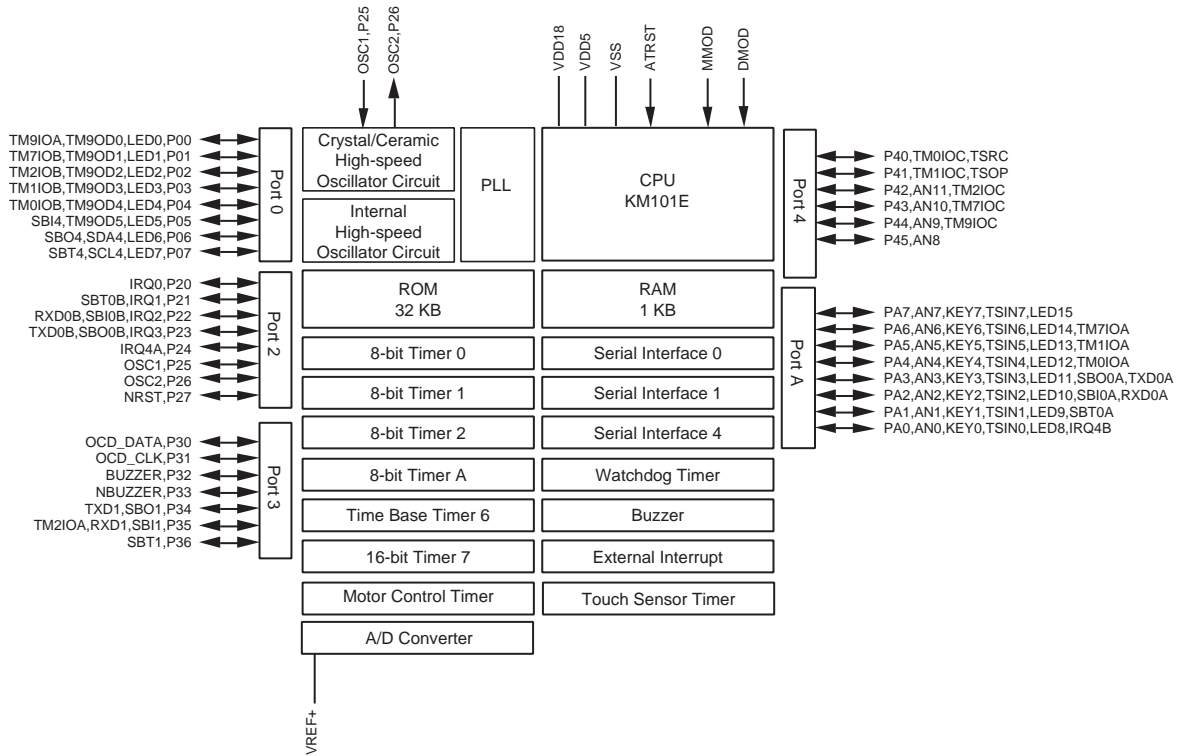


Figure:1.4.1 Block Diagram

* Varies depending on models.
Refer to [Chapter 1 1.1.2 Product Summary] and [Chapter 1 1.3.3 Pin Functions].

1.5 Electrical Characteristics

This LSI manual describes standard specifications.

When using this LSI, consult our sales offices for the product specifications.

Structure	CMOS integrated circuit
Application	General-purpose
Function	CMOS 8-bit single chip microcomputer

1.5.1 Absolute Maximum Ratings

A. Absolute Maximum Ratings *2 *3 *4

$V_{SS} = 0\text{ V}$

Parameter		Symbol	Rating	Unit		
A1	Power supply voltage	V_{DD5}	-0.3 to +7.0	V		
A2	Power supply voltage	V_{DD18}	-0.3 to +2.5			
A3	Input pin voltage	V_I	-0.3 to $V_{DD5} + 0.3$ (upper limit: 7.0)			
A4	Output pin voltage	V_O	-0.3 to $V_{DD5} + 0.3$ (upper limit: 7.0)			
A5	I/O pin voltage	V_{IO1}	-0.3 to $V_{DD5} + 0.3$ (upper limit: 7.0)			
A6	Peak output current	LED output	I_{OL1} (peak)	30	mA	
A7		Other than LED output	I_{OL2} (peak)	20		
A8		All pins	I_{OH} (peak)	-10		
A9	Average output current *1	LED output	I_{OL1} (avg)	20		
A10		Other than LED output	I_{OL2} (avg)	15		
A11		All pins	I_{OH} (avg)	-5		
A12	Power dissipation	KM101EF A6/A1	48pin TQFP	P_{D1}	300	mW
A13			44pin QFP	P_{D2}	400	
A14		KM101EF A5/A0	32pin SSOP	P_{D3}	300	
A15			32pin TQFP	P_{D4}	400	
A16	Operating ambient temperature		T_{opr}	-40 to +85	°C	
A17	Storage temperature		T_{STG}	-55 to +125		

*1 Applied to any 100 ms period.

*2 Connect at least one bypass capacitor of 0.1 μF + 1.0 μF or larger between VDD5 pin and GND for the internal power voltage stabilization.

*3 Connect appropriate capacitor about 0.1 μF + 1.0 μF between VDD18 pin and VSS pin, near the microcontroller according to the Figure:1.5.1 shown below for the internal power supply stabilization.

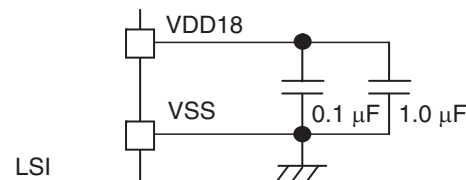


Figure:1.5.1 Capacitor Connection between VDD18 and VSS Pins

*4 The absolute maximum ratings are the limit values beyond which the LSI may be damaged.

1.5.2 Operating Conditions

B. Operating Conditions $V_{SS} = 0\text{ V}$
 $T_a = -40\text{ }^\circ\text{C to } +85\text{ }^\circ\text{C}$

Parameter	Symbol	Conditions	Rating			Unit	
			MIN	TYP	MAX		
Power supply voltage *5							
B1	Power supply voltage	V_{DD1}	$f_s \leq 20\text{ MHz}$	4.0		5.5	V
B2	RAM retention power supply voltage	V_{DD8}	During STOP mode	2.2		5.5	

Operating speed *6

B3	Instruction execution time f_s	t_{c1}	$V_{DD5} = 4.0\text{ V to } 5.5\text{ V}$ (When ROMHND of HANDSHAKE register is "1".)	0.05			μs
B4		t_{c2}	$V_{DD5} = 4.0\text{ V to } 5.5\text{ V}$ (When ROMHND of HANDSHAKE register is "0".)	0.10			

*5 f_s : Machine clock frequency

*6 t_{c1} to t_{c2} : when the machine clock is selected from external high-speed oscillation, internal high-speed oscillation, or both the oscillations multiplied by PLL.

External Oscillator Figure:1.5.2

B5	Frequency	f_{hosc1}	V_{DD5} is within the specified operating power supply voltage range. (Refer to the ratings of B1 to B2 for the operating supply voltage range)	2.0		10	MHz
B6	Internal feedback resistor	R_{f10}	$V_{DD5} = 5.0\text{ V}$		980		$\text{k}\Omega$

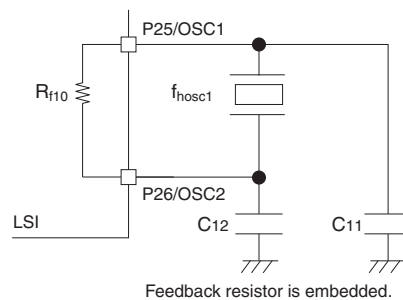


Figure:1.5.2 External Oscillator



Connect external capacitors suited for the used oscillator. The reference value denotes external capacity value based on our matching result. When crystal oscillator or ceramic oscillator is used, the oscillation frequency is changed depending on the value of capacitor. For external capacity value, please consult the oscillator manufacturer and perform matching tests enough for determining appropriate values.

$V_{DD5} = 4.0\text{ V to }5.5\text{ V}$
 $V_{SS} = 0\text{ V}$
 $T_a = -40\text{ }^\circ\text{C to }+85\text{ }^\circ\text{C}$

Parameter	Symbol	Conditions	Rating			Unit
			MIN	TYP	MAX	

External clock input 1 OSC1 (OSC2 is unconnected)

B7	Clock frequency	f_{hosc2}			10.0	MHz
B8	High-level pulse width *7	t_{wh1}	Figure:1.5.3			ns
B9	Low-level pulse width *7	t_{wl1}				
B10	Rising time	t_{wr1}	Figure:1.5.3			ns
B11	Falling time	t_{wf1}				

*7 The clock duty ratio should be 45 % to 55 %

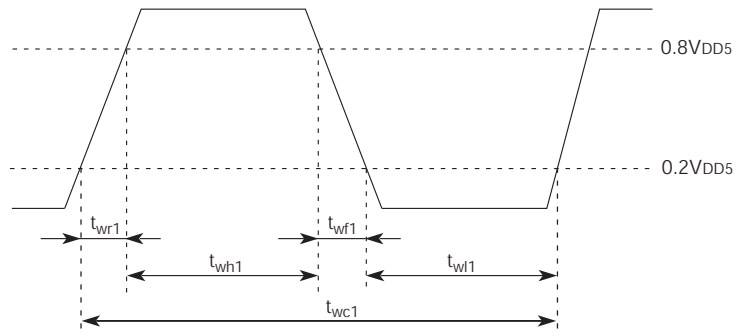


Figure:1.5.3 OSC1 Timing Chart

1.5.3 DC Characteristics

C. DC Characteristics $V_{SS} = 0\text{ V}$
 $T_a = -40\text{ }^\circ\text{C to }+85\text{ }^\circ\text{C}$

Parameter	Symbol	Conditions	Rating			Unit	
			MIN	TYP	MAX		
Power supply current *8							
C1	Power supply current during operation	I_{DD1}	fosc=10 MHz [Double-speed mode: fs=fosc] $V_{DD5}=5\text{ V}$ (PLL is not used) *9		5	14	mA
C2		I_{DD2}	fosc=10 MHz [Multiplied by 2, Divided by 2: fs=fosc] $V_{DD5}=5\text{ V}$ (PLL is used) *9		6	18	
C3		I_{DD3}	fosc=10 MHz [Multiplied by 2: fs=20 MHz] $V_{DD5}=5\text{ V}$ (PLL is used) *9		9	20	
C4		I_{DD4}	frc=16 MHz [Double-speed mode: fs=16 MHz] $V_{DD5}=5\text{ V}$ (PLL is used) *9		6	15	
C5	Power supply current during STOP mode	I_{DD5}	$V_{DD5}=5\text{ V}$ $T_a = -40\text{ }^\circ\text{C to }+85\text{ }^\circ\text{C}$		145	245	μA

*8 Measured without loading (pull-up and pull-down resistors are not connected.)

To measure the power supply current during operation I_{DD1} to I_{DD4} :

1. Set all I/O pins to input mode,
2. Set the CPU mode to "NORMAL mode",
3. Fix pin MMOD to V_{SS} level and input pins to V_{DD5} level
4. Input the rectangular wave of 10 MHz(4 MHz) with amplitude of V_{DD5} and V_{SS} , from pin OSC1.

To measure the power supply current during STOP mode I_{DD5} :

1. Set the CPU mode to "STOP mode",
2. Fix pin MMOD to V_{SS} level and input pin to V_{DD5} level
3. Open pin OSC1.

*9 When ROMHND of HANDSHAKE register is set to "1"

$V_{DD5} = 4.0\text{ V to }5.5\text{ V}$ $V_{SS} = 0\text{ V}$
 $T_a = -40\text{ }^{\circ}\text{C to }+85\text{ }^{\circ}\text{C}$

Parameter	Symbol	Conditions	Rating			Unit
			MIN	TYP	MAX	

Input pin 1 ATRST, MMOD

C10	Input high voltage	V_{IH1}		$0.8 V_{DD5}$		V_{DD5}	V
C11	Input low voltage	V_{IL1}		0		$0.2 V_{DD5}$	
C12	Input leakage current	I_{LK1}	$V_{IN} = 0\text{ V to }V_{DD5}$			± 2	μA

Input pin 2 P27/NRST

C13	Input high voltage	V_{IH2}		$0.8 V_{DD5}$		V_{DD5}	V
C14	Input low voltage	V_{IL2}		0		$0.15 V_{DD5}$	
C15	Pull-up resistor	R_{RH1}	$V_{DD5}=5\text{ V}, V_{IN}=V_{SS}$	10	50	100	$\text{k}\Omega$

I/O pin 3 P00 to P07

C16	Input high voltage 2	V_{IH3}		$0.54 V_{DD5}$		V_{DD5}	V
C17	Input low voltage	V_{IL3}		0		$0.2 V_{DD5}$	
C18	Input leakage current	I_{LK2}	$V_{IN}=0\text{ V to }V_{DD5}$			± 2	μA
C19	Pull-up resistor	R_{RH2}	$V_{DD5}=5\text{ V}, V_{IN}=V_{SS}$ Pull-up resistor ON	10	50	100	$\text{k}\Omega$
C20	Output high voltage	V_{OH1}	$V_{DD5}=5.0\text{ V}, I_{OH}=-0.5\text{ mA}$	4.5			V
C21	Output low voltage 1	V_{OL1}	$V_{DD5}=5.0\text{ V}, I_{OL}=1.0\text{ mA}$ LED output OFF			0.5	
C22	Output low voltage 2	V_{OL2}	$V_{DD5}=5.0\text{ V}, I_{OL}=15.0\text{ mA}$ LED output ON			1.0	

I/O pin 4 P20, P21

C23	Input high voltage 2	V_{IH4}		$0.54 V_{DD5}$		V_{DD5}	V
C24	Input low voltage	V_{IL4}		0		$0.2 V_{DD5}$	
C25	Input leakage current	I_{LK3}	$V_{IN}=0\text{ V to }V_{DD5}$			± 2	μA
C26	Pull-up resistor	R_{RH3}	$V_{DD5}=5\text{ V}, V_{IN}=V_{SS}$ Pull-up resistor ON	10	50	100	$\text{k}\Omega$
C27	Output high voltage	V_{OH2}	$V_{DD5}=5.0\text{ V}, I_{OH}=-0.5\text{ mA}$	4.5			V
C28	Output low voltage	V_{OL3}	$V_{DD5}=5.0\text{ V}, I_{OL}=1.0\text{ mA}$			0.5	

$V_{DD5} = 4.0\text{ V to }5.5\text{ V}$ $V_{SS} = 0\text{ V}$
 $T_a = -40\text{ }^\circ\text{C to }+85\text{ }^\circ\text{C}$

Parameter	Symbol	Conditions	Rating			Unit
			MIN	TYP	MAX	

I/O pin 5 P22 to P24, P25 to P26 *10 P30 to P31, P32 to P36

C29	Input high voltage	V_{IH5}		$0.8 V_{DD5}$		V_{DD5}	V
C30	Input low voltage	V_{IL5}		0		$0.2 V_{DD5}$	
C31	Input leakage current	I_{LK4}	$V_{IN}=0\text{ V to }V_{DD5}$			± 2	μA
C32	Pull-up resistor	R_{RH4}	$V_{DD5}=5.0\text{ V, }V_{IN}=V_{SS}$ Pull-up resistor ON	10	50	100	$\text{k}\Omega$
C33	Output high voltage	V_{OH3}	$V_{DD5}=5.0\text{ V, }I_{OH}=-0.5\text{ mA}$	4.5			V
C34	Output low voltage	V_{OL4}	$V_{DD5}=5.0\text{ V, }I_{OL}=1.0\text{ mA}$			0.5	

I/O pin 6 PA0 to PA7

C35	Input high voltage	V_{IH6}		$0.8 V_{DD5}$		V_{DD5}	V
C36	Input low voltage	V_{IL6}		0		$0.2 V_{DD5}$	
C37	Input leakage current	I_{LK5}	$V_{IN}=0\text{ V to }V_{DD5}$			± 2	μA
C38	Pull-up resistor	R_{RH5}	$V_{DD5}=5.0\text{ V, }V_{IN}=V_{SS}$ Pull-up resistor ON	10	50	100	$\text{k}\Omega$
C39	Output high voltage	V_{OH4}	$V_{DD5}=5.0\text{ V, }I_{OH}=-0.5\text{ mA}$	4.5			V
C40	Output low voltage 1	V_{OL5}	$V_{DD5}=5.0\text{ V, }I_{OL}=1.0\text{ mA}$ LED output OFF			0.5	
C41	Output low voltage 2	V_{OL6}	$V_{DD5}=5.0\text{ V, }I_{OL}=15.0\text{ mA}$ LED output ON			1.0	

I/O pin 7 P40 to P45

C42	Input high voltage	V_{IH7}		$0.8 V_{DD5}$		V_{DD5}	V
C43	Input low voltage	V_{IL7}		0		$0.2 V_{DD5}$	
C44	Input leakage current	I_{LK5}	$V_{IN}=0\text{ V to }V_{DD5}$			± 2	μA
C45	Pull-up resistor	R_{RH6}	$V_{DD5}=5.0\text{ V, }V_{IN}=V_{SS}$ Pull-up resistor ON	10	50	100	$\text{k}\Omega$
C46	Pull-down resistor	R_{RL1}	$V_{DD5}=5.0\text{ V, }V_{IN}=V_{DD5}$ Pull-down resistor ON	10	50	100	
C47	Output high voltage	V_{OH5}	$V_{DD5}=5.0\text{ V, }I_{OH}=-0.5\text{ mA}$	4.5			V
C48	Output low voltage	V_{OL7}	$V_{DD5}=5.0\text{ V, }I_{OL}=1.0\text{ mA}$			0.5	

Input pin 8 DMOD *11

C49	Input high voltage	V_{IH8}		$0.8 V_{DD5}$		V_{DD5}	V
C50	Input low voltage	V_{IL8}		0		$0.2 V_{DD5}$	
C51	Pull-up resistor	R_{RH8}	$V_{DD5}=5.0\text{ V, }V_{IN}=V_{SS}$ Pull-up resistor ON	10	50	100	$\text{k}\Omega$

*10 These are not used for oscillation pins.

*11 Only flash EEPROM version, DMOD pin contains an internal pull-up resistor.
When using In-Circuit Emulator, connect pull-up resistor to DMOD on the target board.

1.5.4 A/D Converter Characteristics

$V_{DD5} = 5.0\text{ V}$ $V_{SS} = 0\text{ V}$

$T_a = -40\text{ }^\circ\text{C}$ to $+85\text{ }^\circ\text{C}$

D. A/D Converter Characteristics *12

Parameter	Symbol	Conditions	Rating			Unit
			MIN	TYP	MAX	
D1	Resolution				10	Bits
D2	Non-linearity error 1	$V_{DD5}=5.0\text{ V}$, $V_{SS}=0\text{ V}$			± 3	LSB
D3	Differential non-linearity error 1	$V_{REF+}=5.0\text{ V}$ $T_{AD}=800\text{ ns}$			± 3	
D4	Zero transition voltage	$V_{DD5}=5.0\text{ V}$, $V_{SS}=0\text{ V}$		10	30	mV
D5	Full-scale transition voltage	$V_{REF+}=5.0\text{ V}$ $T_{AD}=800\text{ ns}$	4970	4990		
D6	A/D conversion time	$T_{AD}=800\text{ ns}$	12.93			μs
D7	Sampling time	$T_{AD}=800\text{ ns}$	1.6			
D8	Reference voltage	V_{REF+} $V_{REF+}=V_{DD5}$	4.0		V_{DD5}	V
D9	Analog input voltage		V_{SS}		V_{REF+}	
D10	Analog input leakage current	Channel OFF $V_{ADIN}=V_{SS}$ to V_{DD5}			± 2	μA
D11	Reference voltage pin input leakage current	Ladder resistance OFF $V_{SS} \leq V_{REF+} \leq V_{DD5}$			± 5	
D12	Ladder resistance	R_{LADD} $V_{DD5}=5.0\text{ V}$	15	40	80	$\text{k}\Omega$

*12 T_{AD} is A/D conversion clock cycle.

The specification values of D2 to D5 are guaranteed on the condition of $V_{DD5}=V_{REF+}=5\text{ V}$, $V_{SS}=0\text{ V}$.



Even if A/D function is not used, V_{REF+} must be set between V_{DD5} and 4.0 V.

1.5.5 Auto Reset Characteristics

$$V_{DD5} = V_{RST} \text{ to } 5.5 \text{ V } V_{SS} = 0 \text{ V}$$

$$T_a = -40 \text{ }^\circ\text{C to } +85 \text{ }^\circ\text{C}$$

E. Auto Reset Characteristics

Parameter	Symbol	Conditions	Rating			Unit	
			MIN	TYP	MAX		
Power supply voltage							
E1	Operating supply voltage	V_{DD7}	Auto reset is used	V_{RST}		5.5	V
Power supply voltage							
E2	Power detection level	V_{RST1}	At rising	4.10	4.30	4.50	V
E3	Power detection level	V_{RST2}	At falling	4.00	4.20	4.40	
E4	Supply voltage change rate	$\Delta t/\Delta V$		2			ms/V

1.5.6 Internal High-speed Oscillation Circuit

$$V_{DD5} = 4.0 \text{ V to } 5.5 \text{ V } V_{SS} = 0 \text{ V}$$

F. Internal High-speed Oscillation Circuit

Parameter	Symbol	Conditions	Rating			Unit	
			MIN	TYP	MAX		
F1	Internal high-speed oscillation circuit frequency	f_{rc}	$T_a = -40 \text{ }^\circ\text{C to } +85 \text{ }^\circ\text{C}$		16		MHz
F2	Temperature dependence of oscillation frequency *13	f_{rc3}	$T_a = 25 \text{ }^\circ\text{C}$	-5.0		5.0	%
		f_{rc4}	$T_a = -40 \text{ }^\circ\text{C to } +85 \text{ }^\circ\text{C}$				

*13 The specification values described in G are for standard application.
For special application (such as for automotive product) has different value.
When using this LSI, consult our sales offices for the product specifications.

1.5.7 Flash EEPROM Program Conditions

$$V_{DD5} = 4.0 \text{ V to } 5.5 \text{ V } V_{SS} = 0 \text{ V}$$

$$T_a = -40 \text{ }^\circ\text{C to } +85 \text{ }^\circ\text{C}$$

G. Flash EEPROM Program Conditions *14

Parameter	Symbol	Conditions	Rating			Unit
			MIN	TYP	MAX	
G1	Voltage for rewriting	V_{DDEW}	4.0		5.0	V
G1	Programming guarantee number of times	E_{MAX}			1000	Time
G2	Data retention period	T_{HOLD}	20			Year

*14 The specification values described in G are for standard application.
For special application (such as for automotive product) has different value.
When using this LSI, consult our sales offices for the product specifications.

1.6 Package Dimension

■ Package code: QFP044-P-1010F Unit: mm

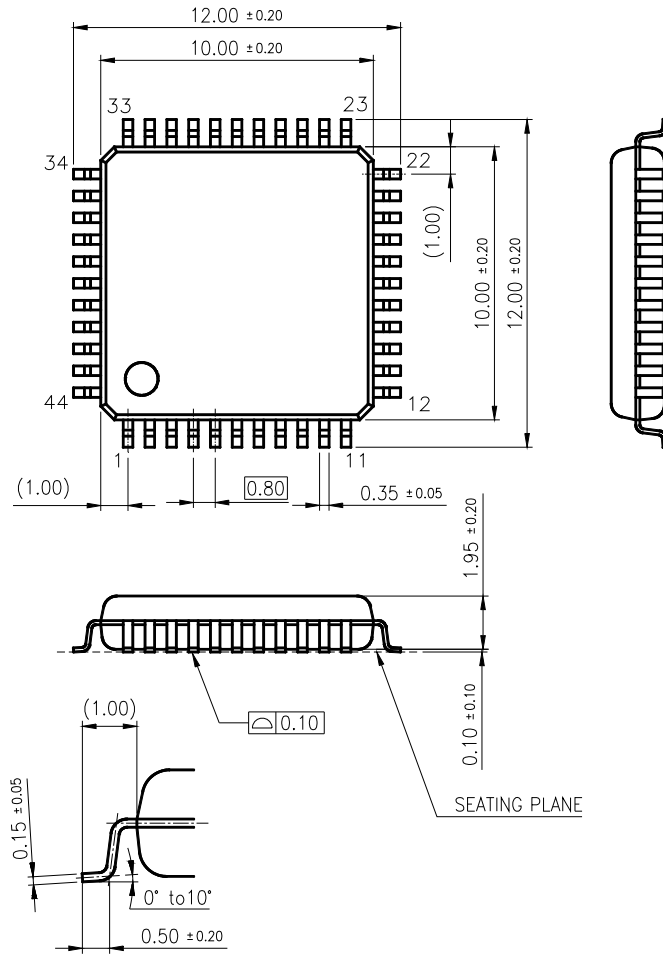


Figure:1.6.1 44-pin QFP Package Dimension



This package dimension is subject to change. Before using this product, please obtain product specifications from our sales offices.

■ Package code: TQFP048-P-0707B Unit: mm

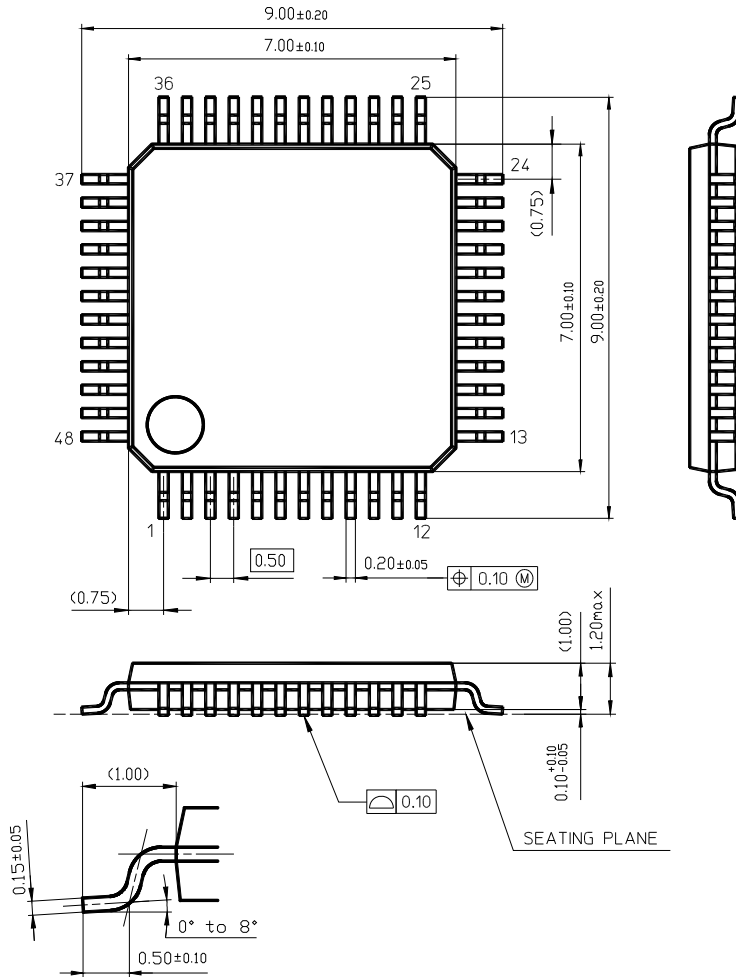


Figure:1.6.2 48-pin TQFP Package Dimension



This package dimension is subject to change. Before using this product, please obtain product specifications from our sales offices.

- Package code: SSOP032-P-0300D Unit: mm

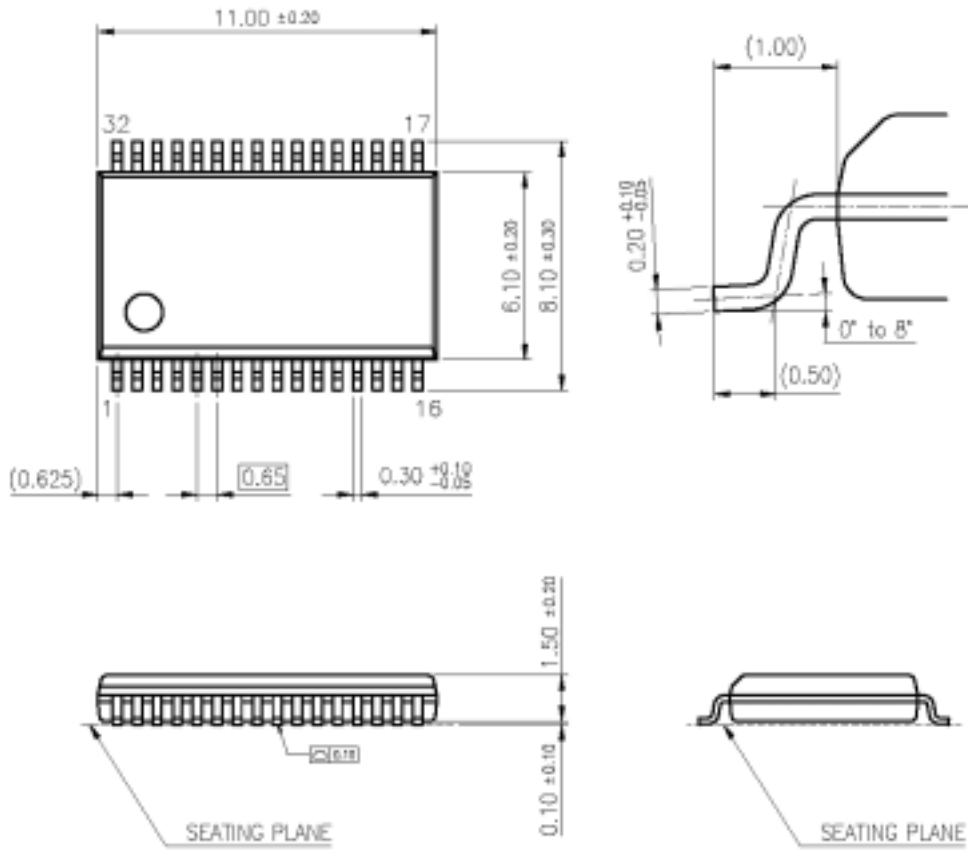


Figure:1.6.3 32-pin SSOP Package Dimension



This package dimension is subject to change. Before using this product, please obtain product specifications from our sales offices.

- Package code: TQFP032-P-0707A Unit: mm

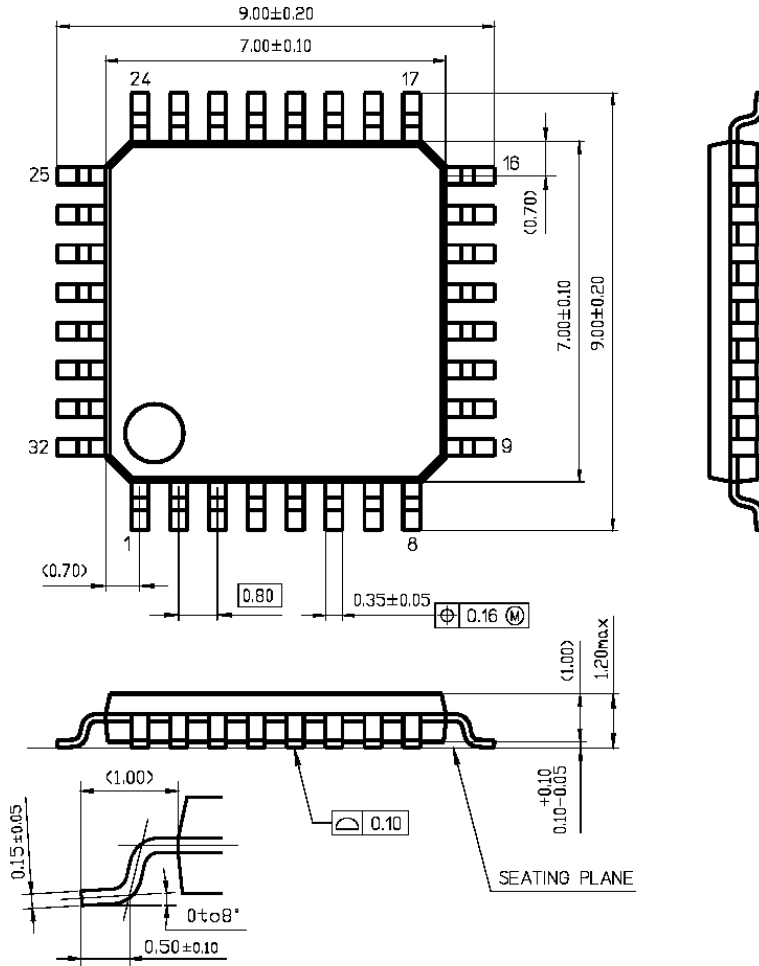


Figure:1.6.4 32-pin TQFP Package Dimension



This package dimension is subject to change. Before using this product, please obtain product specifications from our sales offices.

Important Notice

Nuvoton Products are neither intended nor warranted for usage in systems or equipment, any malfunction or failure of which may cause loss of human life, bodily injury or severe property damage. Such applications are deemed, “Insecure Usage”.

Insecure usage includes, but is not limited to: equipment for surgical implementation, atomic energy control instruments, airplane or spaceship instruments, the control or operation of dynamic, brake or safety systems designed for vehicular use, traffic signal instruments, all types of safety devices, and other applications intended to support or sustain life.

All Insecure Usage shall be made at customer’s risk, and in the event that third parties lay claims to Nuvoton as a result of customer’s Insecure Usage, customer shall indemnify the damages and liabilities thus incurred by Nuvoton.

*Please note that all data and specifications are subject to change without notice.
All the trademarks of products and companies mentioned in this datasheet belong to their respective owners.*