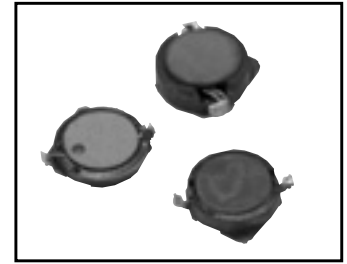


LOW PROFILE POWER INDUCTORS [CXRD150 · 190 · 280 Series]

Features

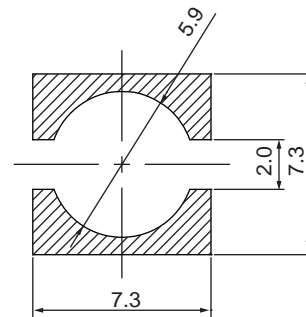
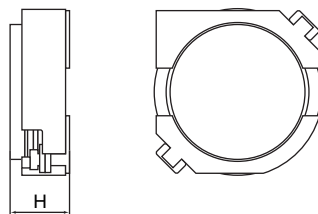
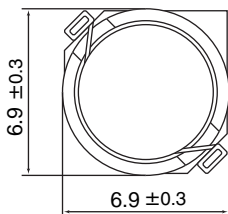
- Low profile less than 1.5mm/1.9mm/2.8mm
- Low dc resistance 14mΩ min. (CXRD280-2R2)
- Large rated current 4A max. (CXRD280-2R2)
- Low noise and leakage flux by using original closed magnetic path (patent pending)
- RoHS Compliant



Applications

- DC/DC converters for
- LCD panels for Monitors
 - Digital video and still cameras
 - Hard disk drives and others

Dimensions/Land pattern(for ref.)<mm>



H=1.5mm max: CXRD150
 H=1.9mm max: CXRD190
 H=2.8mm max: CXRD280

Part number list · Specifications

(Typical)

Series	Part number	Inductance L(μH) (1)	DC resistance Rdc(Ω) (2)	Rated current Idc(A) (3)	Operating temperature range Ta() (4)
CXRD150	CXRD150-3R3	3.3±25%	0.050	2.1	-25~100
	CXRD150-4R7	4.7±25%	0.070	1.7	
	CXRD150-6R8	6.8±25%	0.090	1.5	
	CXRD150-100	10±25%	0.15	1.3	
	CXRD150-150	15±25%	0.195	1.1	
	CXRD150-220	22±25%	0.30	0.9	
CXRD150-470	47±25%	0.605	0.56		
CXRD190	CXRD190-4R7	4.7±25%	0.049	1.8	
	CXRD190-6R8	6.8±25%	0.059	1.7	
	CXRD190-100	10±25%	0.081	1.4	
	CXRD190-150	15±25%	0.12	1.1	
	CXRD190-220	22±25%	0.17	0.9	
CXRD280	CXRD280-2R2	2.2±25%	0.013	4.0	
	CXRD280-2R7	2.7±25%	0.015	3.6	
	CXRD280-3R3	3.3±25%	0.018	3.2	
	CXRD280-4R7	4.7±25%	0.026	2.6	
	CXRD280-6R8	6.8±25%	0.039	2.2	
	CXRD280-100	10±25%	0.048	1.8	
	CXRD280-220	22±25%	0.12	1.2	
	CXRD280-470	47±25%	0.26	0.9	
	CXRD280-680	68±25%	0.34	0.8	

Note : (1)Ta=25、Idc=0A (2)Ta=25 (3)Inductance change ratio | L/LI 20% or T 40 (4)Including temperature rise
 Custom specifications are available.

POWER INDUCTORS