

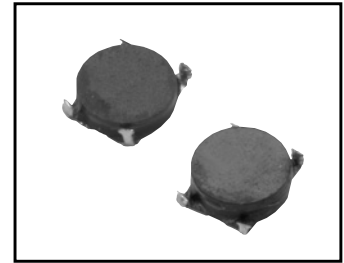
LOW PROFILE POWER INDUCTORS [CXMD120Series]

Features

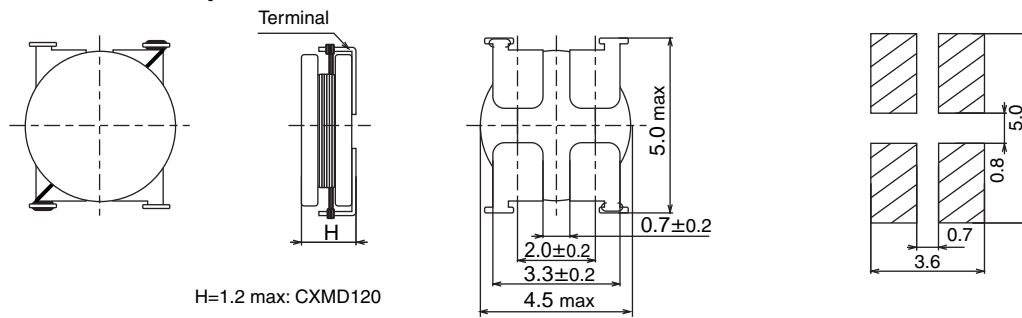
- Low profile less than 1.2mm
- Small footprint
- RoHS Compliant

Applications

- DC/DC converters for
- LCD panels
 - Digital video/still cameras
 - Cellular phones, PDAs, and others



Dimensions/Land pattern(for ref.)<mm>



Part number list · Specifications

(Typical)

Series	Part number	Inductance L(μH) (1)	DC resistance Rdc(Ω) (2)	Rated current Idc(A) (3)	Operating temperature range Ta() (4)
CXMD120	CXMD120-4R7	4.7±20%	0.17	1.00	-25~100
	CXMD120-6R8	6.8±20%	0.21	0.90	
	CXMD120-100	10±20%	0.31	0.70	
	CXMD120-150	15±20%	0.43	0.60	
	CXMD120-220	22±20%	0.68	0.50	

Note : (1)Ta=25、Idc=0A (2)Ta=25 (3)Inductance change ratio | L/LI 10% or T 40 (4)Including temperature rise
 Custom specifications are available.

POWER INDUCTORS