

# ISD9160



Accountability  
Innovation  
Teamwork

# ISD9160 Applications

- High resolution audio ADC with wide range ALC, the ISD9160 is ideal for many consumer and industrial applications

## Human Machine Interface

Voice Recognition, Lighting control, Home appliance, Automotive, Control Panel (Capacitive sensing + audio)



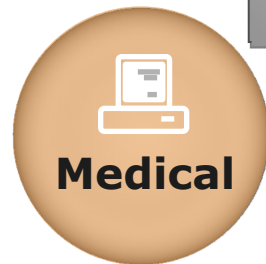
**Industrial**



**Wireless Audio**

## Audio Monitor

Audio Baby/ Elderly/ Disabled monitor, Walky-Talky



**Medical**

## Medical Aids

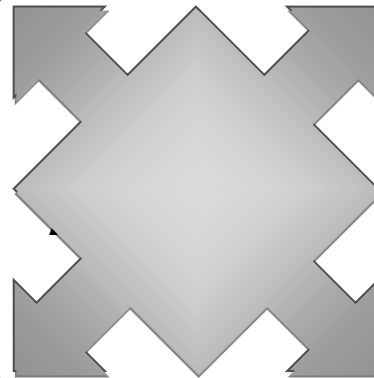
Talking Glucose meter, Oxi-meter, AED, Blood pressure, Stethoscope



**Security**

## Home Security

Burglary/Glass breaking detection



# ISD9160 Audio SoC

## ➤ What is it

- Cortex M0 based audio processor running up to 50MHz, can be served as general purpose controller, optimized for low BOM cost and low power audio applications

## ➤ Benefits

- Best-in-class voice/audio quality,  $\Sigma$ - $\Delta$  ADC 92dB SNR, 1-Watt DPWM, ALC, Gain boost
- Cost Effective
  - Highly integrated system that minimizes external components
  - eBOM saving: X'tal, DC-DC, audio PA, LDO\_OUT, Capacitive sensor controller
- Design Flexibility and Ease of Use
  - Support Keil™ MDK C-language, no learning curve

# ISD9160 Advantages



## Cost Effective

Minimized external components for eBOM saving: X'tal, DC-DC, audio PA, LDO\_OUT, Cap sensor ctrl

## ISD9160



## Best Quality

Record/playback,  $\Sigma$ - $\Delta$  ADC >90dB, 1-Watt DPWM, ALC, Gain boost, Deep power-down

## Easy of Use

Support C program, using existing Keil MDK -- no learning curve

# Smart TV Remote Control

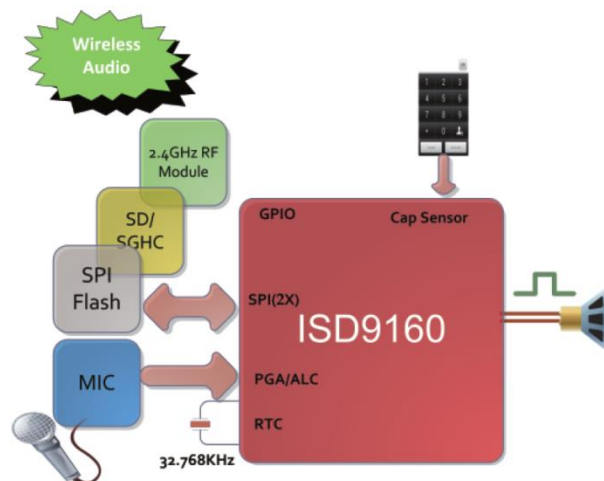
## ■ Application Requirement

- Voice Activation/Recognition
- Skype, Air Mouse
- Low power consumption
- Competitive BOM cost

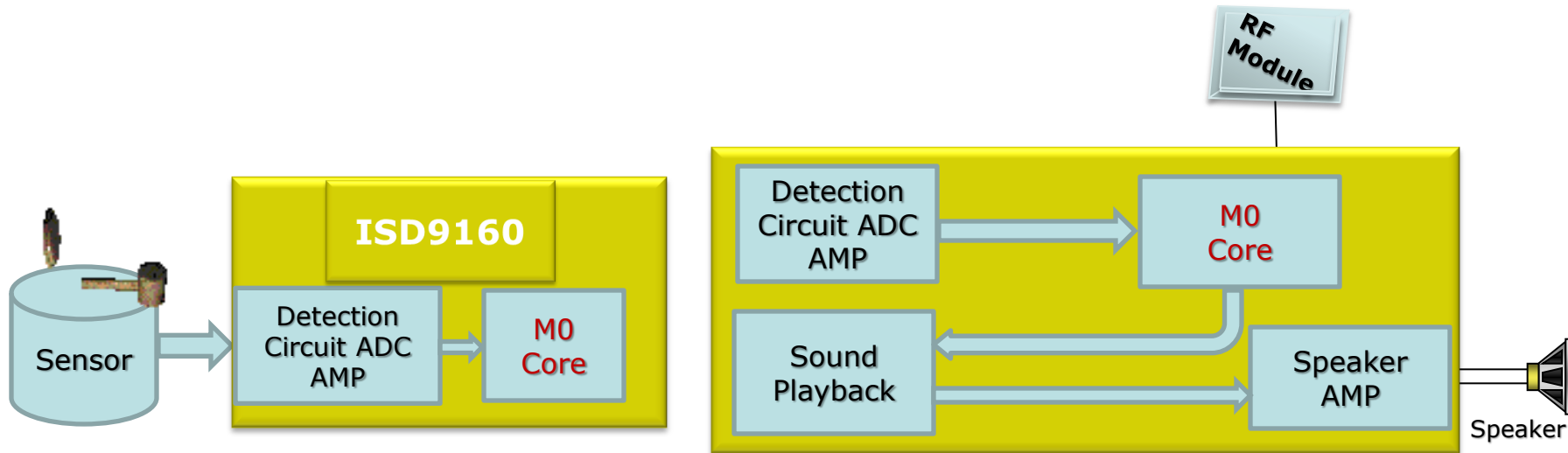


## ■ Why ISD9160

- Excellent quality ADC (92dB SNR) microphone input for taking voice commands
- Less than 1uA Deep Power Down mode
- ARM Cortex-M0 and Audio in single Chip with integrated 1 watt PWM speaker driver, 24 GPIO, Capacitive Touch Inputs



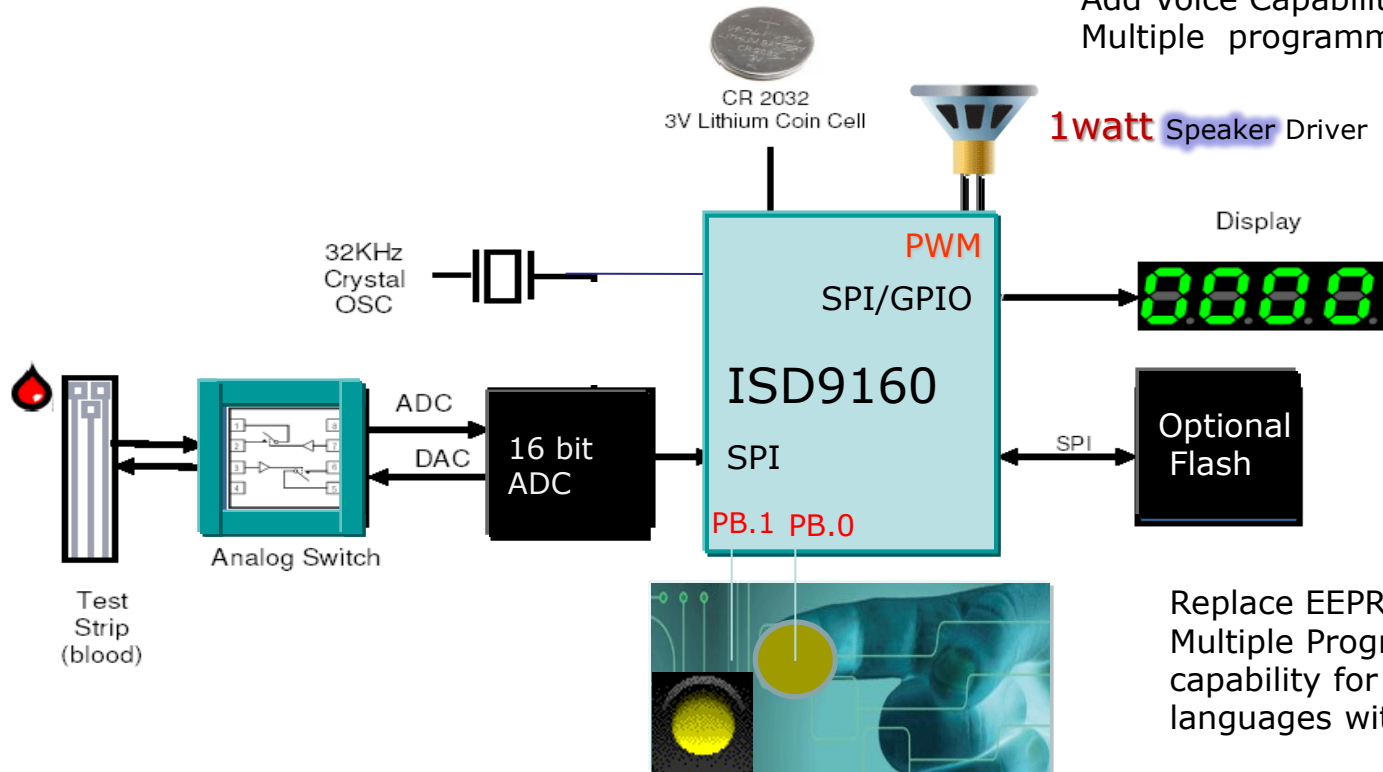
# Home Security - Burglary/Glass Breaking Detection with Audio Feedback



- Home security - Burglary/glass breaking detection: MIC and high quality ADC together with algorithm for detection

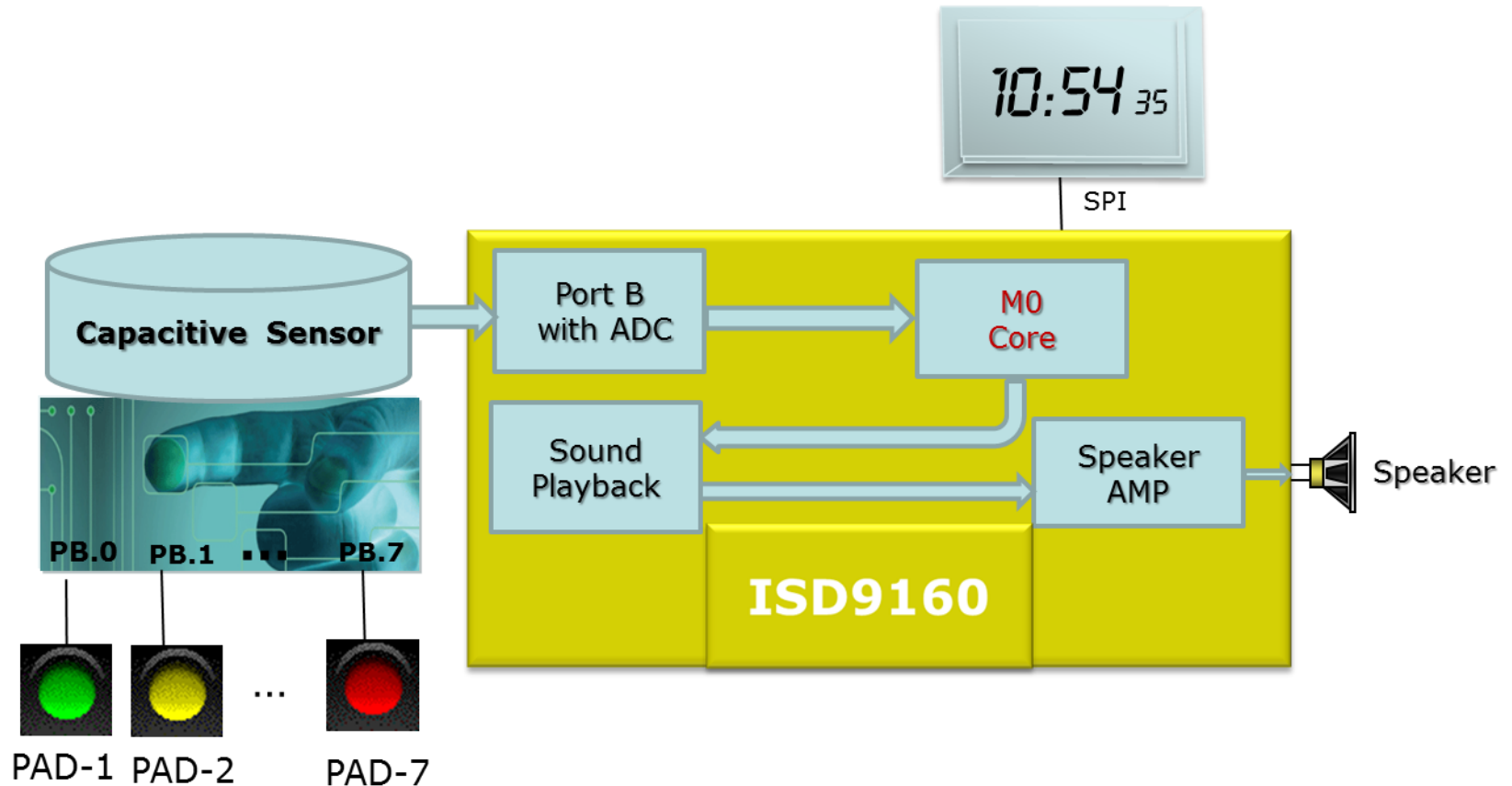
# Talking Glucose Meter with Capacitive Touch Sensing

Add Voice Capability with ISD9160  
Multiple programming Device



Replace EEPROM and add  
Multiple Programming  
capability for different  
languages with **ISD9160**

# Control Panel - Capacitive Touch Sensing with Audio Feedback

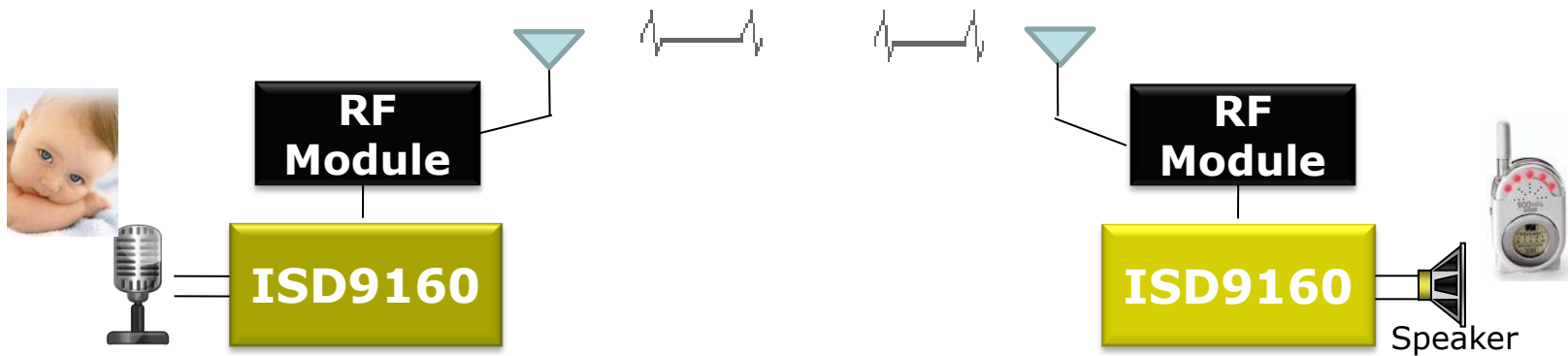


- Applications:
  - Panel controller with capacitive touch buttons
  - Home appliances



# Wireless Audio

- Built-in ALC, Gain boost, CRC-16, S/W PLL: Ideally fit for wireless audio transmission



- Applications:
  - Baby/Elderly/Disable monitor
  - Wireless microphone
  - Wireless speaker
  - Walky-Talky



# HMI - Voice Recognition

- Voice Recognition can be applied to many applications to simplify the HMI



- Applications:
  - Lighting control: Lights on, Dimmer, Brighter, Lights off
  - Home Appliances: Coffee machine "Espresso", "Cappuccino", "Latte"
  - Remote controllers:
    - Channels surfing: Discovery, ESPN, CNN, NHK, ...
    - Webs surfing: Google, Yahoo, YouTube, ...



# HMI - Voice Recognition

- Speaker-independent Phoneme-based Recognition
- **> 95% accuracy** @ Adapted Language Model
- **Noise Suppression** to Adapt Environment Situation
- Adaptive **False Trigger Elimination**
- Flexible Dynamic Range up to **5-meter**
- Multiple languages supported
  - English, Italian, French, German, Spanish, Portuguese, Russian, Japanese, Chinese – **no NRE** but royalty %
- Easy of use - no learning curve @ Voice Sensor SDK
- Benefits:
  - **> 95%** Accuracy @ 10 Command Sets
  - **< 100msec** Fast Responding Time
  - Less than **6KByte** RAM
  - Low Power Consumption
  - Windows UI SDK
  - **Free of NRE** for Available Languages

# ISD9160 Voice Sensor SDK



**Create Model Tool for ISD9160**

Mode  
 Create Model  
 Adapt and Create Model

Language  
Chinese\_CI

Phone

Phone List CHINESE_CI42_PhoneList.txt	Load	42	check
Forced Alignment Model	Load		
Model CH42_D22M4FS16.rcd	Load	42	

Command

Command List Cmd_Ch.txt	Load	7	check
Dictionary Dict_Ch.txt	Load	8	
Sound File List	Load		

Configuration

Frame Shift	14	Dimension	22	Mixture	4
-------------	----	-----------	----	---------	---

**Create**

Message  
Create ToyIC Model ----> OK

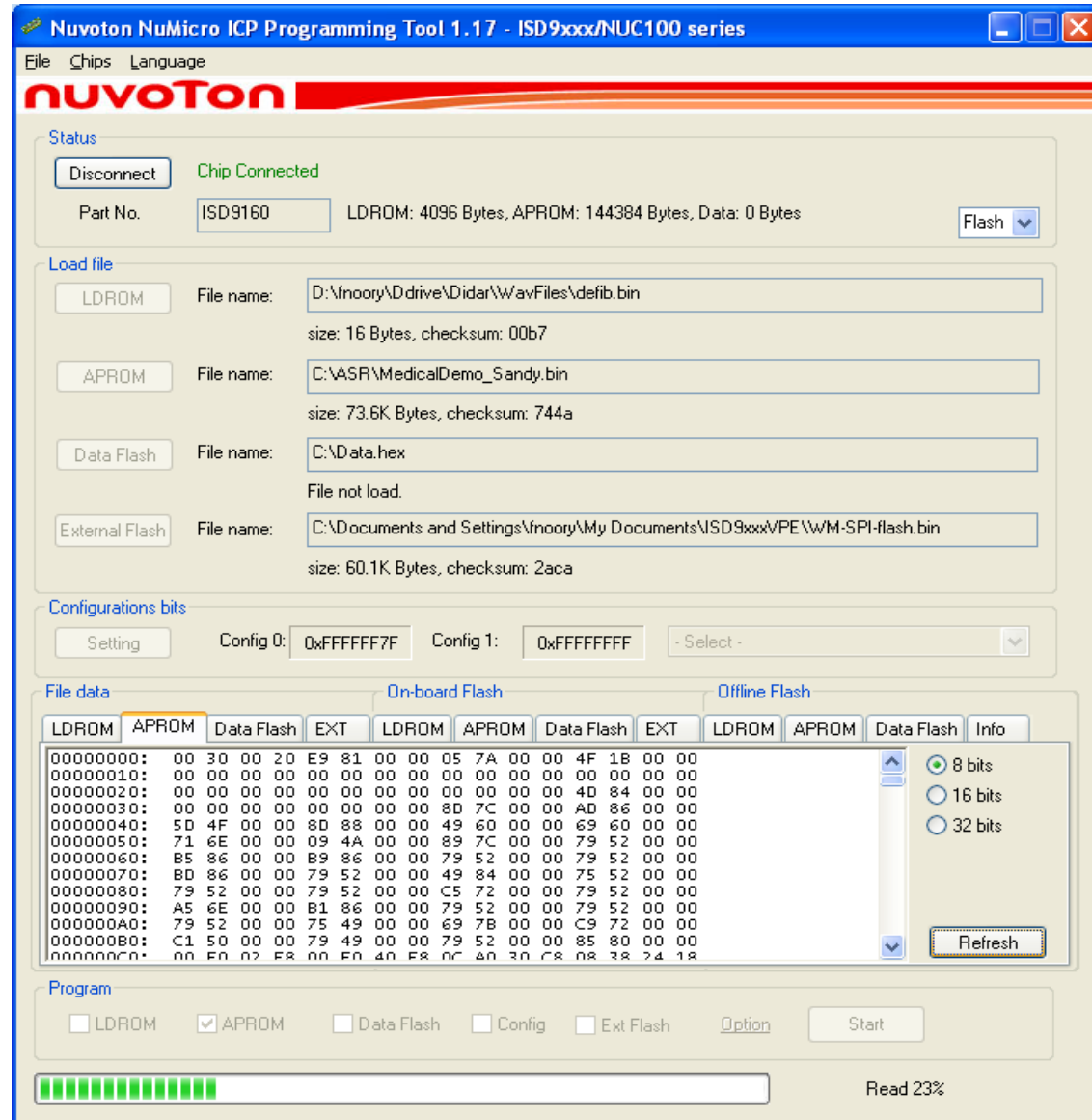
# ISD9160 installation package contents

- Documents:
  - In addition to datasheet and design guide, there are also user guides of peripheral drivers & libraries, and sample code reference manuals of drivers and libraries.
  
- Nuvoton Platform:
  - Sample codes of peripheral drivers and libraries.
  
- Libraries:
  - SpiFlash and Siren7 Enc/Dec
  - ADPCM library
  - Record & Playback
  - Libraries of capacitive sensing
  - SD Card and FAT
  - VPE9160

# ISD9160 Software Tools

Software	Function
Nu-link ICP Tool	In circuit programming via the new link interface
ISD9160 VPE	Voice prompt editor
Keil™ MDK	Code development

ICP tool with capability of programming the external serial flash. The tool checks flash JEDEC ID and gives a warning message if file is oversized



# ISD9160 Software Tools

Software	Function
Nu-link ICP Tool	In circuit programming via the new link interface
ISD9160 VPE	Voice prompt editor
Keil™ MDK	Code development

ISD91series

WAV Files | **WAV VP Gen** | VP Viewer | Device Config | Memory Map | ICP | Memory Used | ALC/MICBIAS Config

Wave File	Length	Ori. SR	Bits	Chnls	Encode Format	Chnls	Sample Rate	Data Rate	Final Size	Tag Info
<input checked="" type="checkbox"/> programming-aborted2.wav	0:00:03.956	11025	16	1	G722 7KHz	1	16000	16000		0x7C003E80
<input checked="" type="checkbox"/> all-populated-socket-passed.wav	0:00:01.854	11025	16	1	G722 7KHz	1	16000	16000		0x7C003E80
<input checked="" type="checkbox"/> all-sockets-epmty.wav	0:00:01.529	11025	16	1	G722 7KHz	1	16000	16000		0x7C003E80
<input checked="" type="checkbox"/> all-sockets-passed.wav	0:00:01.384	11025	16	1	G722 7KHz	1	16000	16000		0x7C003E80
<input checked="" type="checkbox"/> file-not-found.wav	0:00:02.160	11025	16	1	G722 7KHz	1	16000	16000		0x7C003E80
<input checked="" type="checkbox"/> hardware-error.wav	0:00:01.117	11025	16	1	G722 7KHz	1	16000	16000		0x7C003E80
<input checked="" type="checkbox"/> no-matched-as-defined.wav	0:00:03.929	11025	16	1	G722 7KHz	1	16000	16000		0x7C003E80
<input checked="" type="checkbox"/> no-project-id-match.wav	0:00:04.220	11025	16	1	G722 7KHz	1	16000	16000		0x7C003E80
<input checked="" type="checkbox"/> no-socket-baord-plugged-in.wav	0:00:02.504	11025	16	1	G722 7KHz	1	16000	16000		0x7C003E80
<input checked="" type="checkbox"/> no-socket-detected.wav	0:00:02.390	11025	16	1	G722 7KHz	1	16000	16000		0x7C003E80
<input checked="" type="checkbox"/> one-or-more-fail.wav	0:00:02.733	11025	16	1	G722 7KHz	1	16000	16000		0x7C003E80
<input checked="" type="checkbox"/> over-curent-alarm.wav	0:00:01.417	11025	16	1	G722 7KHz	1	16000	16000		0x7C003E80
<input checked="" type="checkbox"/> programming-aborted.wav	0:00:03.841	11025	16	1	G722 7KHz	1	16000	16000		0x7C003E80

Remove | Add ... | Mark All | Unmark All | Rmv Marked | Out Dir ... | Load ... | Save ... | Update | Upd Marked

Compression  
Encoder: G722 7KHz  
Sample Rate: 16000  
Data Rate: 16K bps  
Channels: 1

00:00:00.000 | 00:00:50.000 | 00:01:40.000

Load/Play Source: Wave file

Encode | Enc Marked | Gen VP | Gen Raw

# ISD9160 Tools

	IS9160
ISD-ES9160	ISD9160 Evaluation board with USB interface
ISD-DEMO9160	ISD9160 Demo board use with Nu-Link USB dongle
ISD-ES_ICP	USB dongle for ISD-DEMO9160

## Low Cost USB Programmer Kit



Demonstration board. Connects directly to the ISD-ES\_ICP\_USB programmer for custom programming of on board ISD9160 IC. The Demo Contains all necessary signals to be used as prototype board in customer's application Sytem..

The ISD-ES9160\_USB is a complete evaluation system for custom programming on board IC

